

0CNP6-M00630EN

### Corresponding table of the machine and engine

Machine	Engine
Model	Model
JS-865C,PQ	MZ300B1QCB
JS-865C,S-PQ	MZ300B1QLB

# Contents

OCNP6-M00630

Fig. No. Fig. Name

## ENGINE RELATED

1. ENGINE RELATED
2. ENGINE RELATED

## DRIVE TRAVEL

3. ENGINE CONTROL
4. TENSION CLUTCH
5. ENGINE PULLEY
6. TRAVEL DRIVE BELT
7. AUGER BELT
8. TRAVEL EQUIPMENT
9. DECELERATION GEAR
10. AXLE SHAFT

## CONTROL

11. HANDLE
12. CONTROL PANEL
13. CONTROL PANEL
14. DEAD MAN LEVER
15. CLUTCH
16. CLUTCH LOCK
17. SHIFT LEVER
18. SHIFT ROD
19. SHOOTER LEVER
20. SHOOTER LEVER

Fig. No. Fig. Name

21. CHUTE HANDLE
22. LIFTING

## CHASSIS, COVER & CRAWLE

23. CHASSIS FRAME
24. COVER(BELT)
25. GEAR COVER
26. CRAWLER
27. CRAWLER FRAME
28. CRAWLER GUIDE

## ELECTRICAL PARTS

29. BATTERY
30. WIRE HARNESS
31. WIRE HARNESS
32. SWITCH(STOP SWITCH)
33. SWITCH(KEY SWITCH)
34. SWITCH(MOTOR)
35. LAMP
36. LAMP

## SNOW REMOVING

37. AUGER FRAME
38. AUGER FRAME
39. AUGER PLATE

# Contents

OCNP6-M00630

Fig. No. Fig. Name

- 40. AUGER BOTTOM
- 41. COVER(AUGER)
- 42. SHOOTER
- 43. SHOOTER
- 44. DEFLECTOR
- 45. SHOOTER TURNING
- 46. SHOOTER TURNING
- 47. GEAR HOUSING
- 48. BLOWER SHAFT
- 49. AUGER SHAFT
- 50. AUGER
- 51. BLOWER

Fig. No. Fig. Name

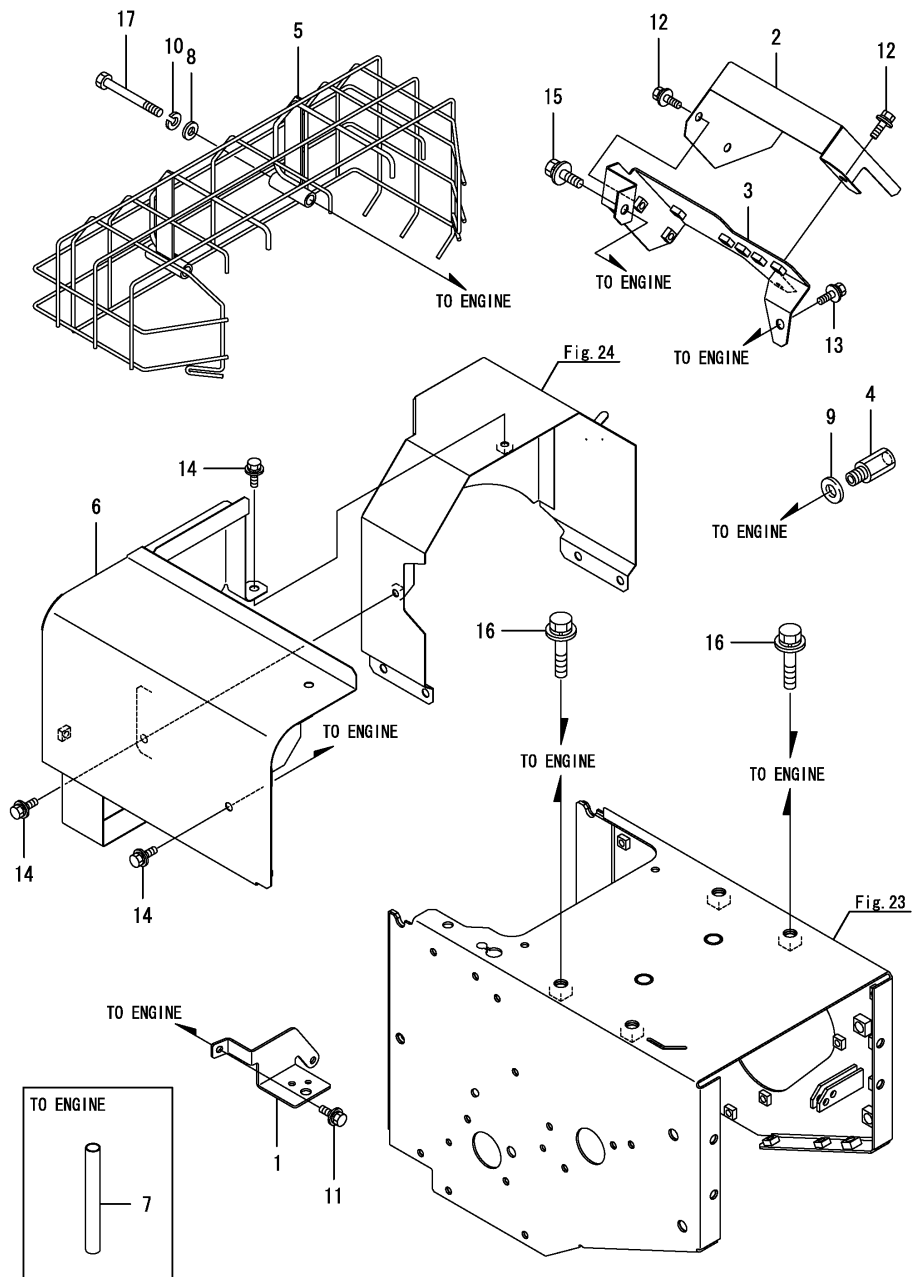
## LABEL & ACCESSORY

- 52. LABEL
- 53. LABEL
- 54. LABEL(SAFETY)
- 55. LABEL(SAFETY)
- 56. ACCESSORY(TOOL)
- 57. ACCESSORY
- 58. ACCESSORY

Fig.1. ENGINE RELATED

(A)=JS-865C,PQ  
(B)=JS-865C,S-PQ  
(C)=

(D)=  
(E)=  
(F)=

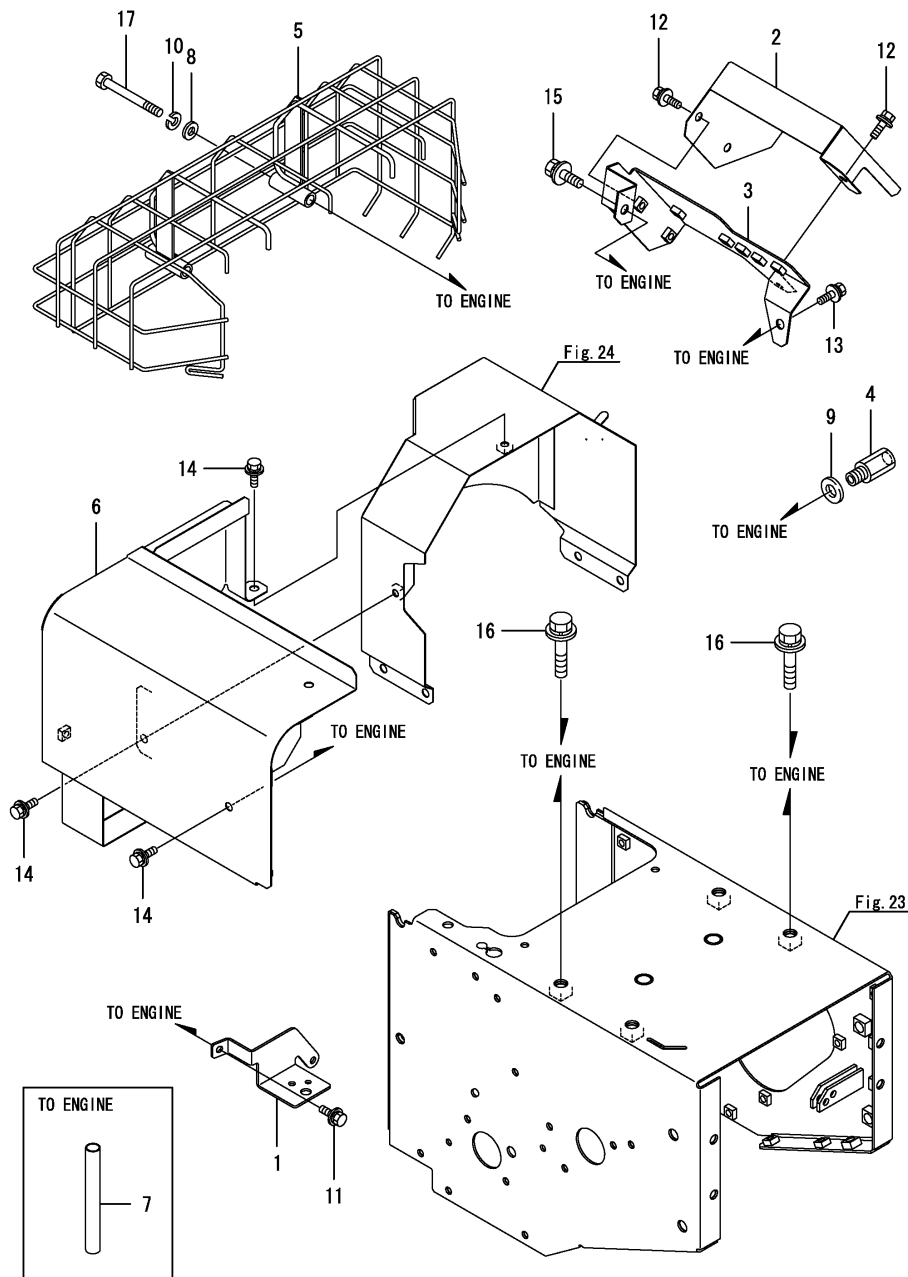


No.	Lev.	Parts No.	Description	Qty						I	R
				(A)	(B)	(C)	(D)	(E)	(F)		
1	1	1N1A50-00050	STAY,FUEL COCK	1							
2	1	1N1A50-00101	COVER, BRACKET	1							
3	1	1N1A50-00161	STAY,BRACKET	1							
4	1	1N3790-00250	JOINT, DRAIN 12	1							
5	1	1N1A50-00500	GUARD,MUFFLER	1							
6	1	7N1A50-00810	DUCT ASSY,PL	1							
7	1	1N1A50-00950	HOSE,12X14X120	1							
8	1	22137-060000	WASHER, 6	2							
9	1	22190-120002	WASHER, SEAL 12	1							
10	1	22217-060000	WASHER, SPRING 6	2							
11	1	26014-060162	BOLT, M6X 16	2							
12	1	26014-060162	BOLT, M6X 16	3							
13	1	26014-060162	BOLT, M6X 16	1							
14	1	26014-060162	BOLT, M6X 16	4							
15	1	26014-080202	BOLT, M8X 20	1							
16	1	26014-100402	BOLT, M10X 40	4							
17	1	26116-060552	BOLT, M6X 55 PLATED	2							

Fig.2. ENGINE RELATED

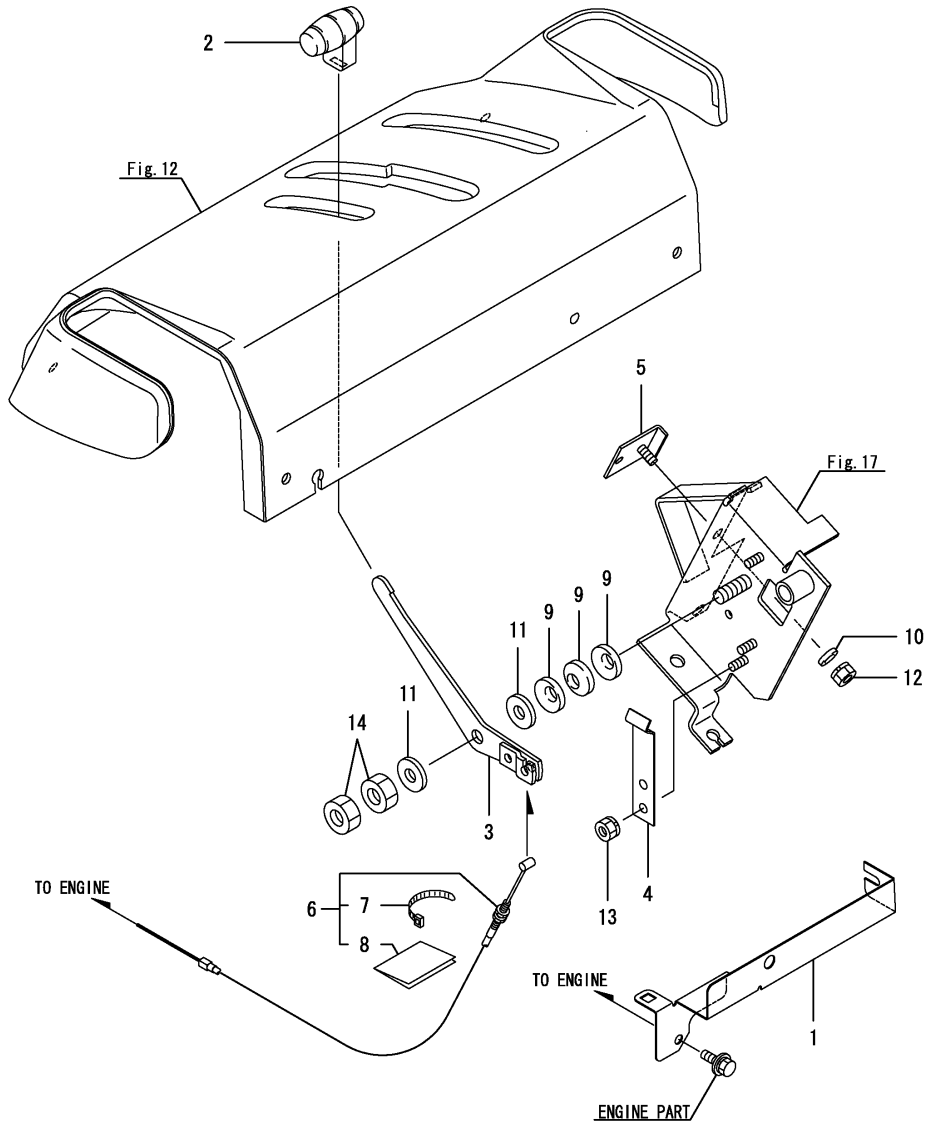
(A)=JS-865C,PQ  
(B)=JS-865C,S-PQ  
(C)=

(D)=  
(E)=  
(F)=



No.	Lev.	Parts No.	Description	Qty						I	R
				(A)	(B)	(C)	(D)	(E)	(F)		
1	1	1N1A50-00050	STAY,FUEL COCK		1						
2	1	1N1A50-00101	COVER, BRACKET		1						
3	1	1N1A50-00161	STAY,BRACKET		1						
4	1	1N3790-00250	JOINT, DRAIN 12		1						
5	1	1N1A50-00500	GUARD,MUFFLER		1						
6	1	7N1A50-00810	DUCT ASSY,PL		1						
7	1	1N1A50-00950	HOSE,12X14X120		1						
8	1	22137-060000	WASHER, 6		2						
9	1	22190-120002	WASHER, SEAL 12		1						
10	1	22217-060000	WASHER, SPRING 6		2						
11	1	26014-060162	BOLT, M6X 16		2						
12	1	26014-060162	BOLT, M6X 16		3						
13	1	26014-060162	BOLT, M6X 16		1						
14	1	26014-060162	BOLT, M6X 16		4						
15	1	26014-080202	BOLT, M8X 20		1						
16	1	26014-100402	BOLT, M10X 40		4						
17	1	26116-060552	BOLT, M6X 55 PLATED		2						

Fig.3. ENGINE CONTROL



(A)=JS-865C,PQ  
 (B)=JS-865C,S-PQ  
 (C)=

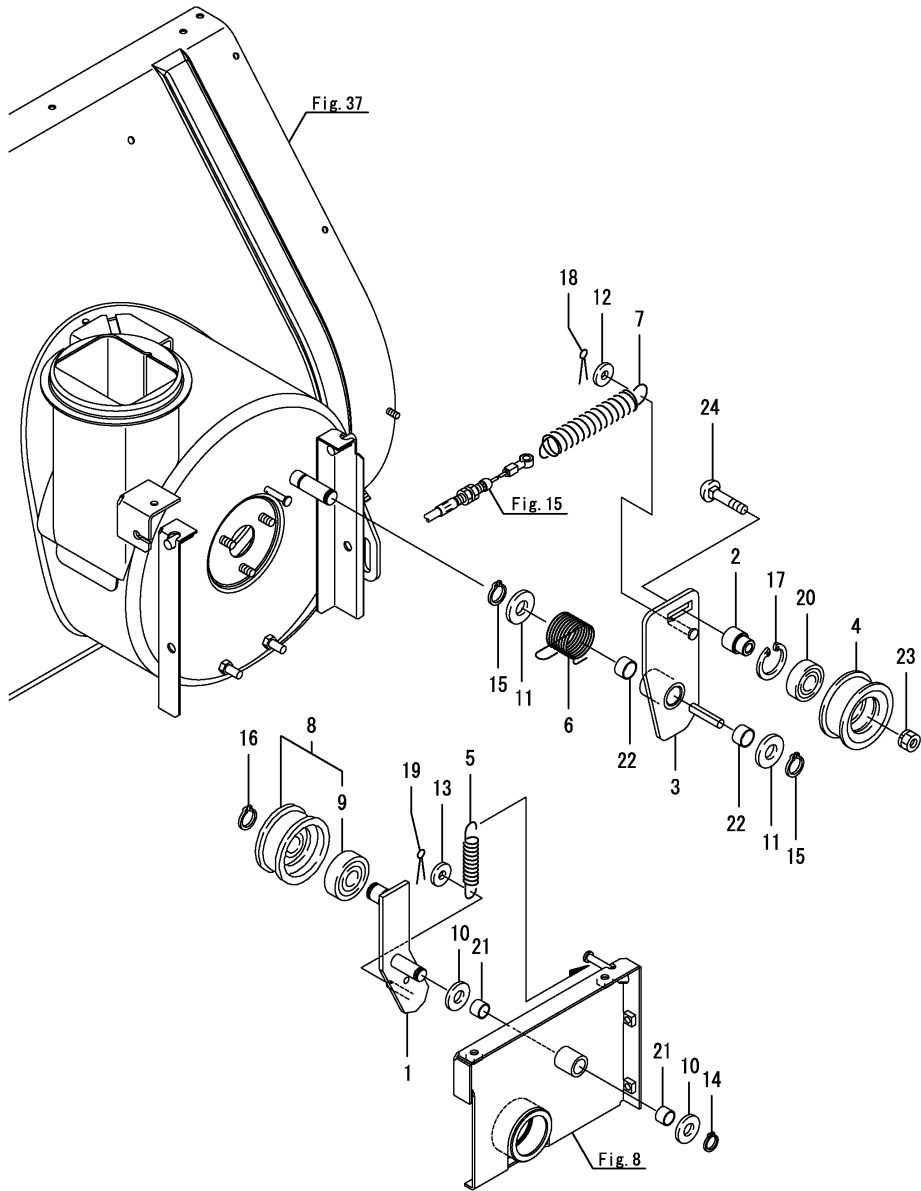
(D)=  
 (E)=  
 (F)=

No.	Lev.	Parts No.	Description	Q'ty						I	R
				(A)	(B)	(C)	(D)	(E)	(F)		
1	1	1N1A50-00650	COVER,WIRE	1	1						
2	1	198273-01230	KNOB, LEVER	1	1						
3	1	1N3790-02100	LEVER, ACCEL	1	1						
4	1	1N3790-02150	SPRING, STOPPER	1	1						
5	1	1N1A50-02200	STOPPER,LEVER	1	1						
6	1	7N1A50-02200	WIRE,ACCEL	1	1						
7	2	1J3999-07000	BAND 100B	1	1						
8	2	1N3790-96870	CHART, BAND	1	1						
9	1	195385-35870	SPRING, 10	3	3						
10	1	22137-060000	WASHER, 6	1	1						
11	1	22137-100000	WASHER, 10	2	2						
12	1	26051-060002	NUT, M6	1	1						
13	1	26051-060002	NUT, M6	2	2						
14	1	26717-100002	NUT, M10	2	2						

Fig.4. TENSION CLUTCH

(A)=JS-865C,PQ  
(B)=JS-865C,S-PQ  
(C)=

(D)=  
(E)=  
(F)=



No.	Lev.	Parts No.	Description	Q'ty						I	R
				(A)	(B)	(C)	(D)	(E)	(F)		
1	1	1N1A50-11000	TENSION,TRAVEL	1	1						
2	1	1N3790-11051	SHAFT, PULLEY	1	1						
3	1	1N1A50-11100	TENSION,WORK	1	1						
4	1	1N3021-11240-1	PULLEY, 63 TENSION	1	1						
5	1	1N3850-11250	SPRING, 13X80	1	1						
6	1	1N1A10-11270	SPRING	1	1						
7	1	1N1A10-11280	SPRING,18.5X161	1	1						
8	1	1E7030-51302-1	ROLLER ASSY, TENSION	1	1						
9	2	24104-063020	BEARING, 6302UUC3	1	1						
10	1	22137-120000	WASHER, 12	2	2						
11	1	22137-140000	WASHER, 14	2	2						
12	1	22157-060000	WASHER, 6	1	1						
13	1	22157-060000	WASHER, 6	1	1						
14	1	22242-000120	RING, 12	1	1						
15	1	22242-000150	RING, 15	2	2						
16	1	22242-000150	RING, 15	1	1						
17	1	22252-000350	RING, 35	1	1						
18	1	22417-160100	COTTER PIN	1	1						
19	1	22417-160100	COTTER PIN	1	1						
20	1	24107-062024	BEARING, BALL 6202ZZ	1	1						
21	1	24550-012100	BUSH 12X10	2	2						
22	1	24550-015100	BUSH, 15X10	2	2						
23	1	26051-080002	NUT, M8	1	1						
24	1	26487-080402	BOLT, M8X40	1	1						



Fig.5. ENGINE PULLEY

(A)=JS-865C,PQ  
 (B)=JS-865C,S-PQ  
 (C)=

(D)=  
 (E)=  
 (F)=

No.	Lev.	Parts No.	Description	Q'ty						I	R
				(A)	(B)	(C)	(D)	(E)	(F)		
1	1	1N1A50-12000	PULLEY,70AX91B	1	1						
2	1	1N1A10-12150	RETAINER,BELT B	1	1						
3	1	1F1150-64230	WASHER 9X35X4.5,PLAI	1	1						
4	1	22550-070400	KEY, 7X 40	1	1						
5	1	26013-080302	BOLT, M8X 30	1	1						
6	1	26014-080202	BOLT, M8X 20	1	1						

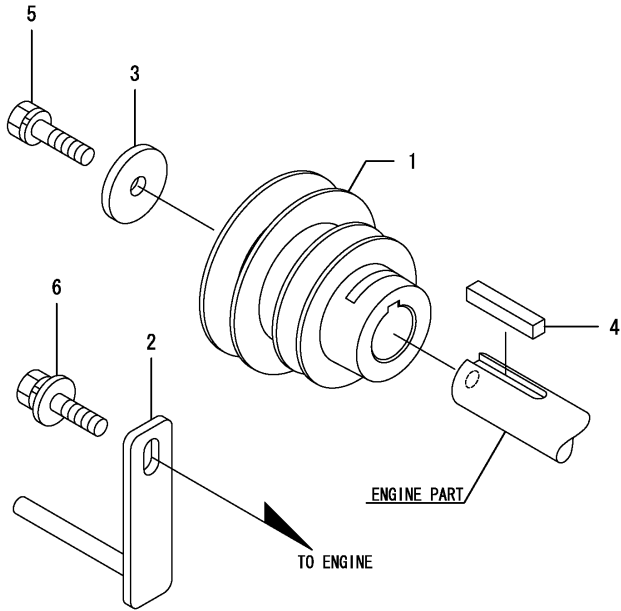
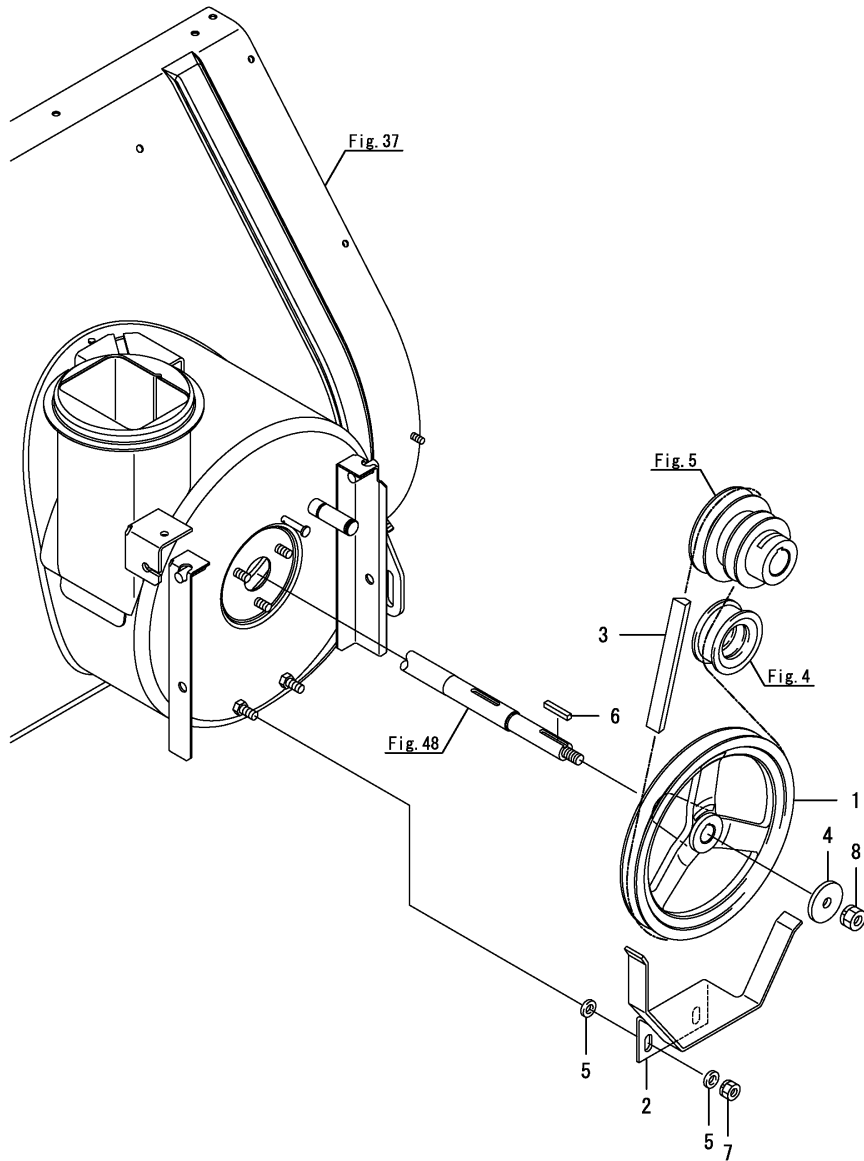




Fig.7. AUGER BELT

(A)=JS-865C,PQ  
 (B)=JS-865C,S-PQ  
 (C)=

(D)=  
 (E)=  
 (F)=

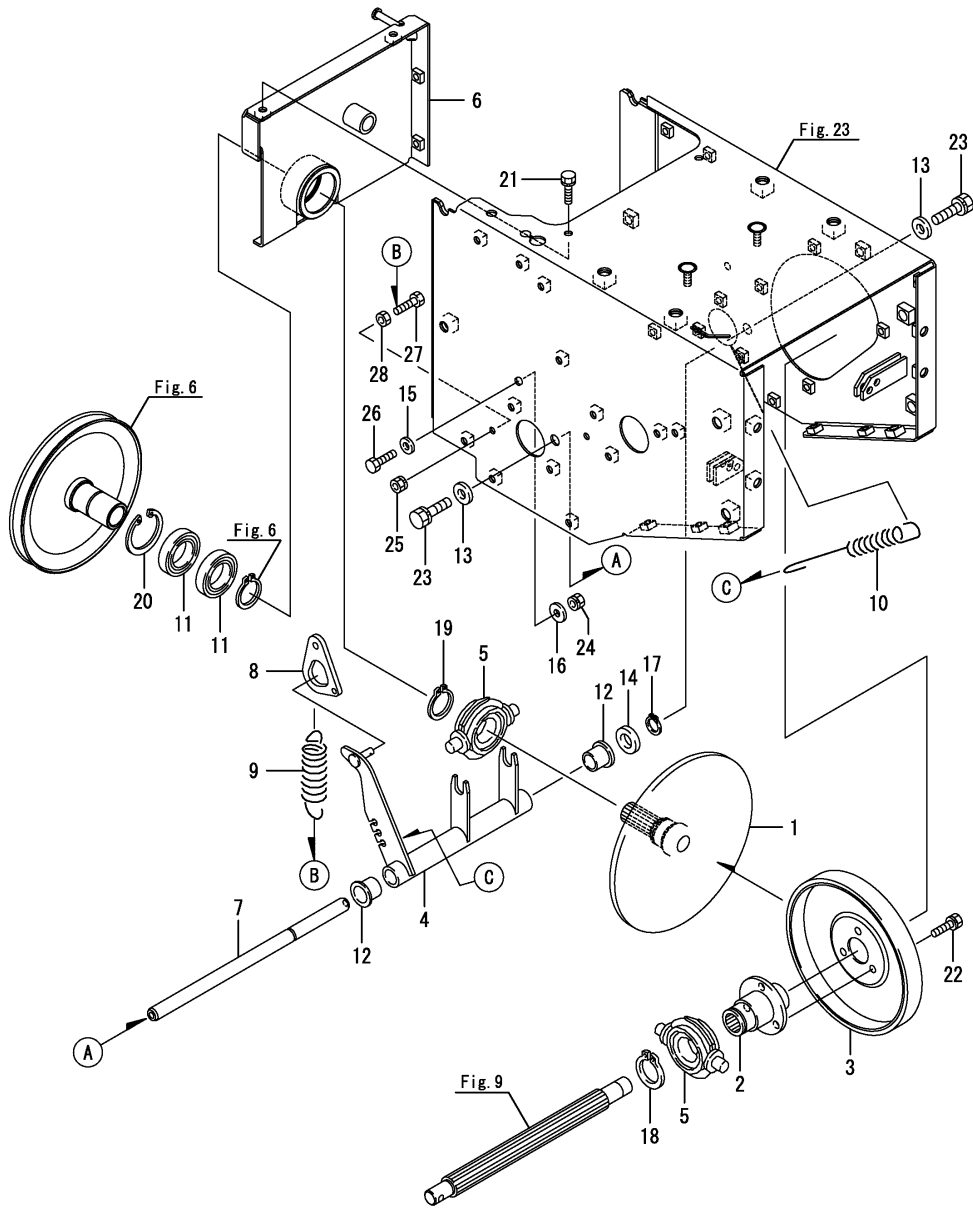


No.	Lev.	Parts No.	Description	Q'ty						I	R
				(A)	(B)	(C)	(D)	(E)	(F)		
1	1	1N1A50-12010	PULLEY,180B	1	1						
2	1	1N1A50-12200	GUIDE,BELT LOWER	1	1						
3	1	1N1730-12820	BELT LB34	1	1						
4	1	1C1300-38250	WASHER, 10X40X4.5	1	1						
5	1	22137-080000	WASHER, 8	4	4						
6	1	22550-050300	KEY 5X30	1	1						
7	1	26051-080002	NUT, M8	2	2						
8	1	26051-100002	NUT, M10	1	1						

Fig.8. TRAVEL EQUIPMENT

(A)=JS-865C,PQ  
 (B)=JS-865C,S-PQ  
 (C)=

(D)=  
 (E)=  
 (F)=

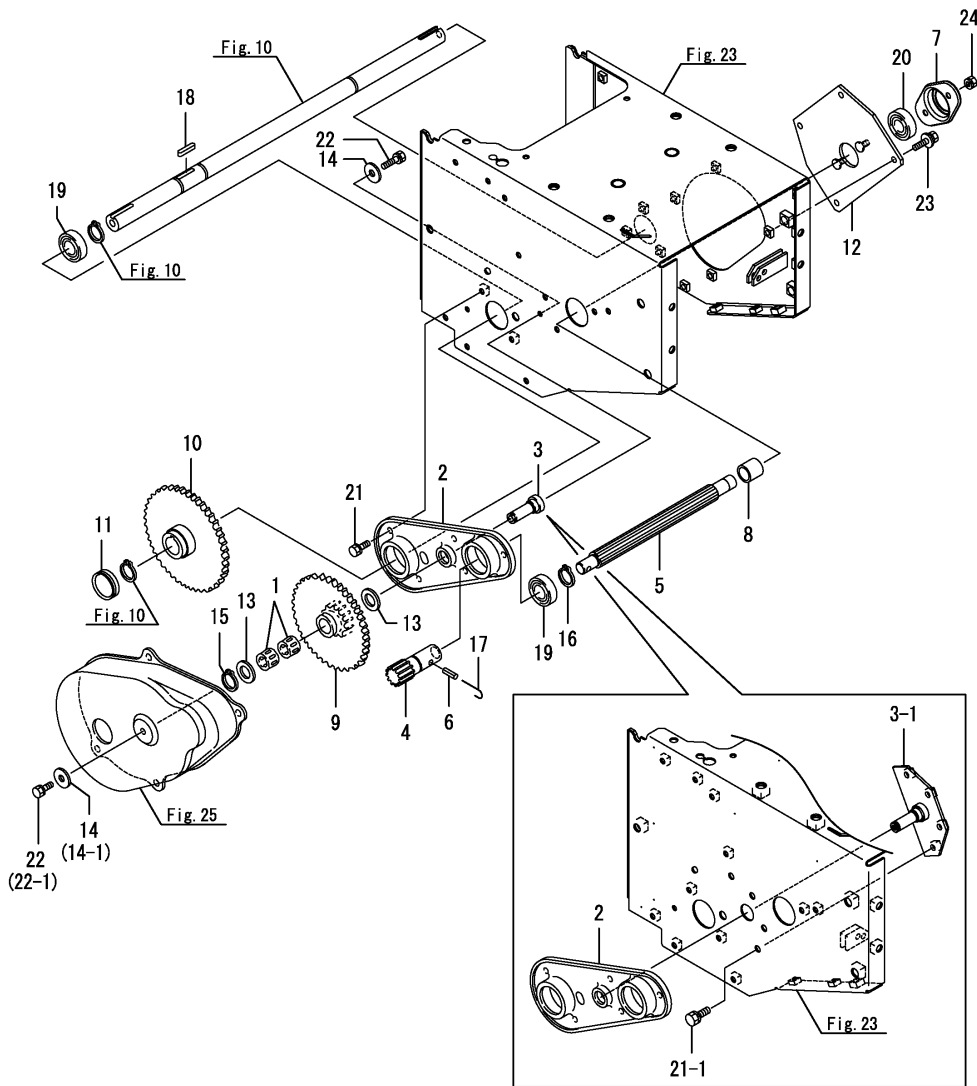


No.	Lev.	Parts No.	Description	Q'ty						I	R
				(A)	(B)	(C)	(D)	(E)	(F)		
1	1	1N3840-21001	PLATE, CHANGE	1	1						
2	1	1N1A50-21100	MOUNT, DISC	1	1						
3	1	1N1570-21201	PLATE, FRICTION	1	1						
4	1	1N3840-21200	BEARING, PLATE	1	1						
5	1	1N1570-21300	SLIDER, CLUTCH	2	2						
6	1	1N1A50-21300	BASE, PULLEY	1	1						
7	1	1N3400-21300	SHAFT, PLATE FULCRUM	1	1						
8	1	1N1A10-21331	PLATE, CLUTCH	1	1						
9	1	1N3330-21400	SPRING, 23X89	1	1						
10	1	1N3840-21410	SPRING, 13X200	1	1						
11	1	1N3840-21450	BEARING, 6905	2	2						
12	1	1S6000-61220	BUSH, COLLAR	2	2						
13	1	22117-080000	WASHER, 8	2	2						
14	1	22117-120000	WASHER, 12	1	1						
15	1	22137-060000	WASHER, 6	1	1						
16	1	22157-060000	WASHER, 6	1	1						
17	1	22242-000120	RING, 12	1	1						
18	1	22242-000250	RING, 25	1	1						
19	1	22242-000250	RING, 25	1	1						
20	1	22252-000420	RING, 42	1	1						
21	1	26013-060122	BOLT, M6X 12	4	4						
22	1	26013-060162	BOLT, M6X 16	3	3						
23	1	26013-080162	BOLT, M8X 16	2	2						
24	1	26051-060002	NUT, M6	1	1						
25	1	26051-060002	NUT, M6	1	1						
26	1	26116-060254	BOLT, M6X 25 PLATED	1	1						
27	1	26116-060304	BOLT, M6X 30 PLATED	1	1						
28	1	26717-060002	NUT, M6	1	1						

Fig.9. DECELERATION GEAR

(A)=JS-865C,PQ  
 (B)=JS-865C,S-PQ  
 (C)=

(D)=  
 (E)=  
 (F)=



No.	Lev.	Parts No.	Description	Q'ty						I	R
				(A)	(B)	(C)	(D)	(E)	(F)		
1	1	1N1570-21600	BEARING	2	2						
2	1	1N3390-23000	BEARING, GEAR	1	1						
3	1	1N3300-23050	SHAFT,COUNTER	1	1						
3-1	1	1N1A50-23500	SHAFT ASSY,COUNTER	1	1						S
		(A=F510060) (B=F510060)									
4	1	1N3840-23100	GEAR, PINION	1	1						
5	1	1N3850-23110	SHAFT, SLIDE	1	1						
6	1	1N3300-23120	PIN, SPRING 6AX18	1	1						
7	1	1N3850-23140	BEARING, 6202	1	1						
8	1	1N3400-23180	COLLAR,16X21X20	1	1						
9	1	1N3310-23200	GEAR,COUNTER	1	1						
10	1	1N1A50-23300	GEAR,AXLE 84T	1	1						
11	1	1N3390-23400	SEAL, GREASE 28A	1	1						
12	1	1N3840-23400	SUPPORT, SHAFT	1	1						
13	1	22117-120000	WASHER, 12	2	2						
14	1	22157-060000	WASHER, 6	2	2						
14-1	1	22157-060000	WASHER, 6	1	1						K
		(A=F510060) (B=F510060)									
15	1	22242-000120	RING, 12	1	1						
16	1	22242-000200	RING, 20	1	1						
17	1	22451-160000	WIRE, 1.6	1	1						
18	1	22512-050260	KEY, 5X 26	1	1						
19	1	24104-060044	BEARING, BALL 6004UU	2	2						
20	1	24104-062024	BEARING, BALL 6202UU	1	1						
21	1	26013-060122	BOLT, M6X 12	5	5						
21-1	1	26013-060162	BOLT, M6X 16	7	7						S
		(A=F510060) (B=F510060)									
22	1	26013-060162	BOLT, M6X 16	2	2						
22-1	1	26013-060162	BOLT, M6X 16	1	1						K
		(A=F510060) (B=F510060)									
23	1	26014-060122	BOLT, M6X 12	4	4						
24	1	26051-060002	NUT, M6	2	2						

Fig.10. AXLE SHAFT

(A)=JS-865C,PQ  
 (B)=JS-865C,S-PQ  
 (C)=

(D)=  
 (E)=  
 (F)=

No.	Lev.	Parts No.	Description	Q'ty						I	R
				(A)	(B)	(C)	(D)	(E)	(F)		
1	1	1N3400-25000	AXLE	1	1						
2	1	1N3300-25100	JOINT 6004	1	1						
3	1	22242-000200	RING, 20	3	3						
4	1	24104-060044	BEARING, BALL 6004UU	1	1						
5	1	26013-060122	BOLT, M6X 12	3	3						

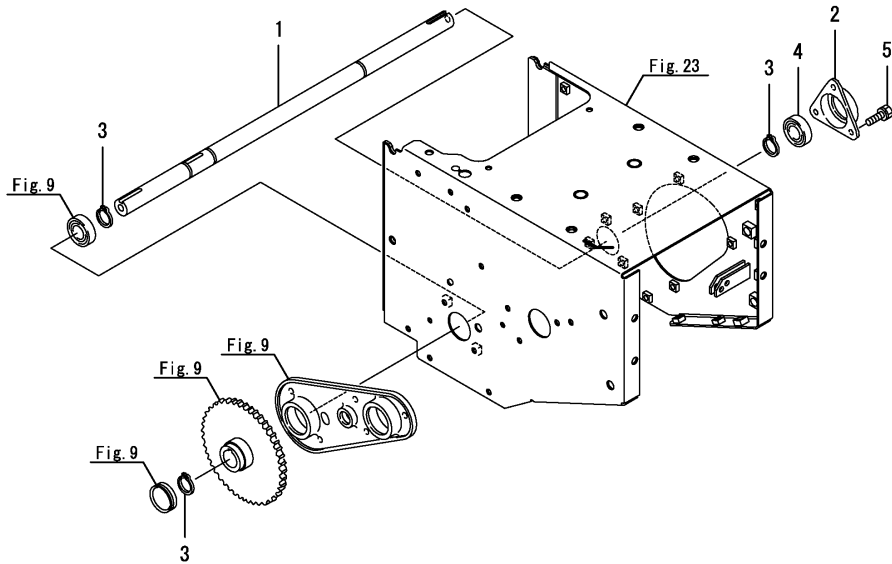
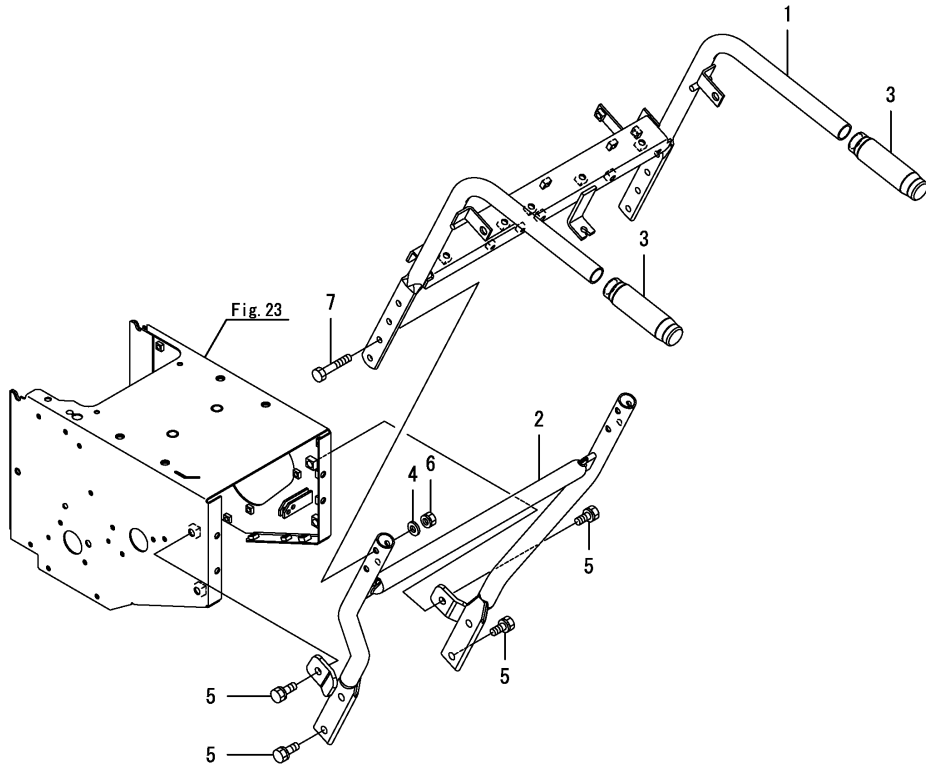


Fig.11. HANDLE



(A)=JS-865C,PQ  
(B)=JS-865C,S-PQ  
(C)=

(D)=  
(E)=  
(F)=

No.	Lev.	Parts No.	Description	Q'ty						I	R
				(A)	(B)	(C)	(D)	(E)	(F)		
1	1	1N1A10-30000	FRAME,HANDLE	1	1						
2	1	1N1A10-30201	FRAME,MOUNTING	1	1						
3	1	1N1710-82140	GRIP BK-8,HANDLE	2	2						
4	1	22137-080000	WASHER, 8	4	4						
5	1	26013-100252	BOLT, M10X 25	4	4						
6	1	26051-080002	NUT, M8	4	4						
7	1	26116-080452	BOLT, M8X 45 PLATED	4	4						

Fig.12. CONTROL PANEL

(A)=JS-865C,PQ  
 (B)=JS-865C,S-PQ  
 (C)=

(D)=  
 (E)=  
 (F)=

No.	Lev.	Parts No.	Description	Q'ty						I	R
				(A)	(B)	(C)	(D)	(E)	(F)		
1	1	1J3999-00040	BOLT 6X16 W/PLW+SPW.	4							
2	1	7N1A10-30300	PANEL, CONTROL	1							
3	1	1N3850-30350	STAY, L	1							
4	1	1N3850-30400	STAY, R	1							
5	1	26014-080202	BOLT, M8X 20	2							

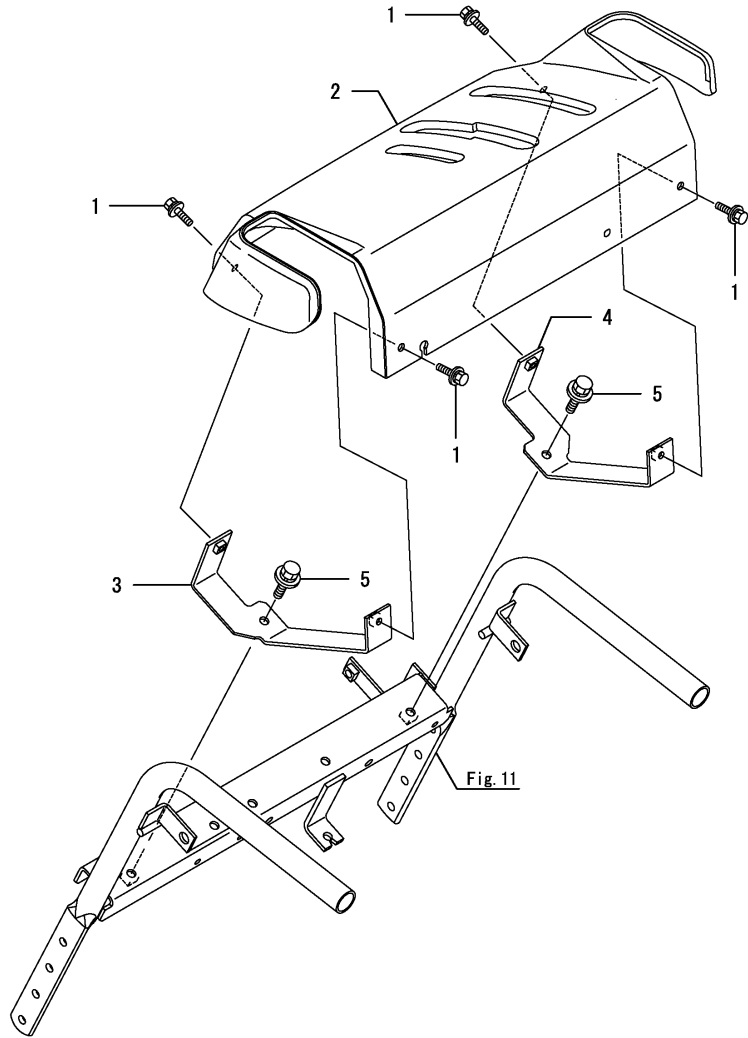




Fig.13. CONTROL PANEL

(A)=JS-865C,PQ  
 (B)=JS-865C,S-PQ  
 (C)=

(D)=  
 (E)=  
 (F)=

No.	Lev.	Parts No.	Description	Q'ty						I	R
				(A)	(B)	(C)	(D)	(E)	(F)		
1	1	1J3999-00040	BOLT 6X16 W/PLW+SPW.		4						
2	1	1N3850-30350	STAY, L		1						
3	1	7N3790-30400	PANEL, CONTROL		1						
4	1	1N3850-30400	STAY, R		1						
5	1	26014-080202	BOLT, M8X 20		2						

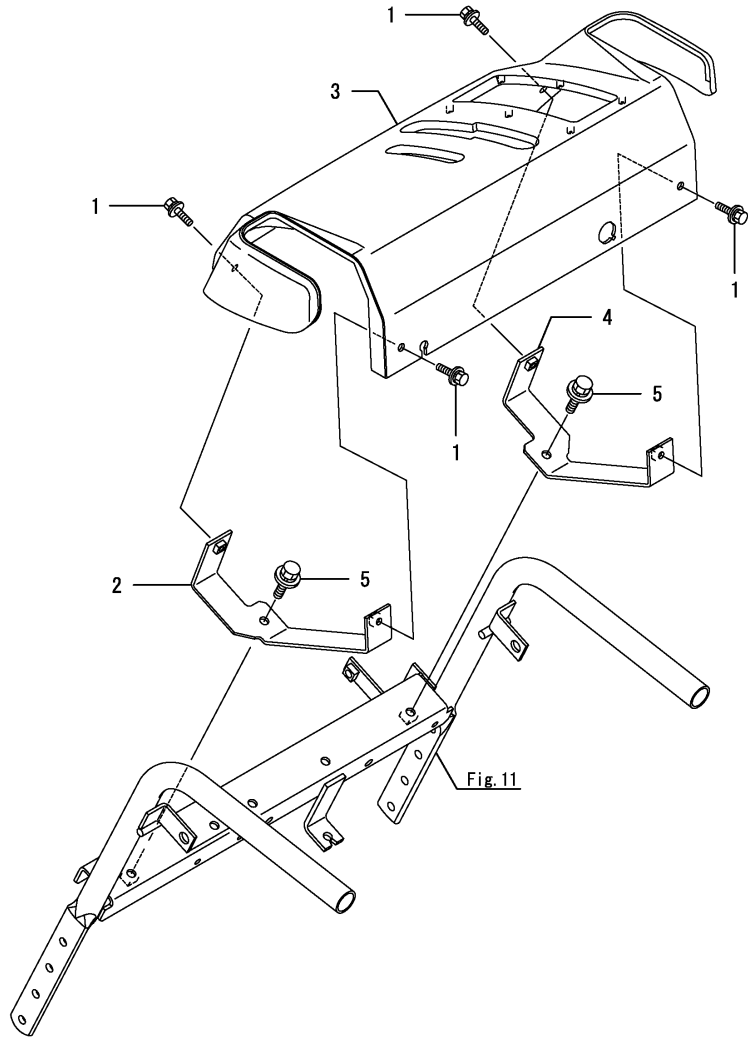
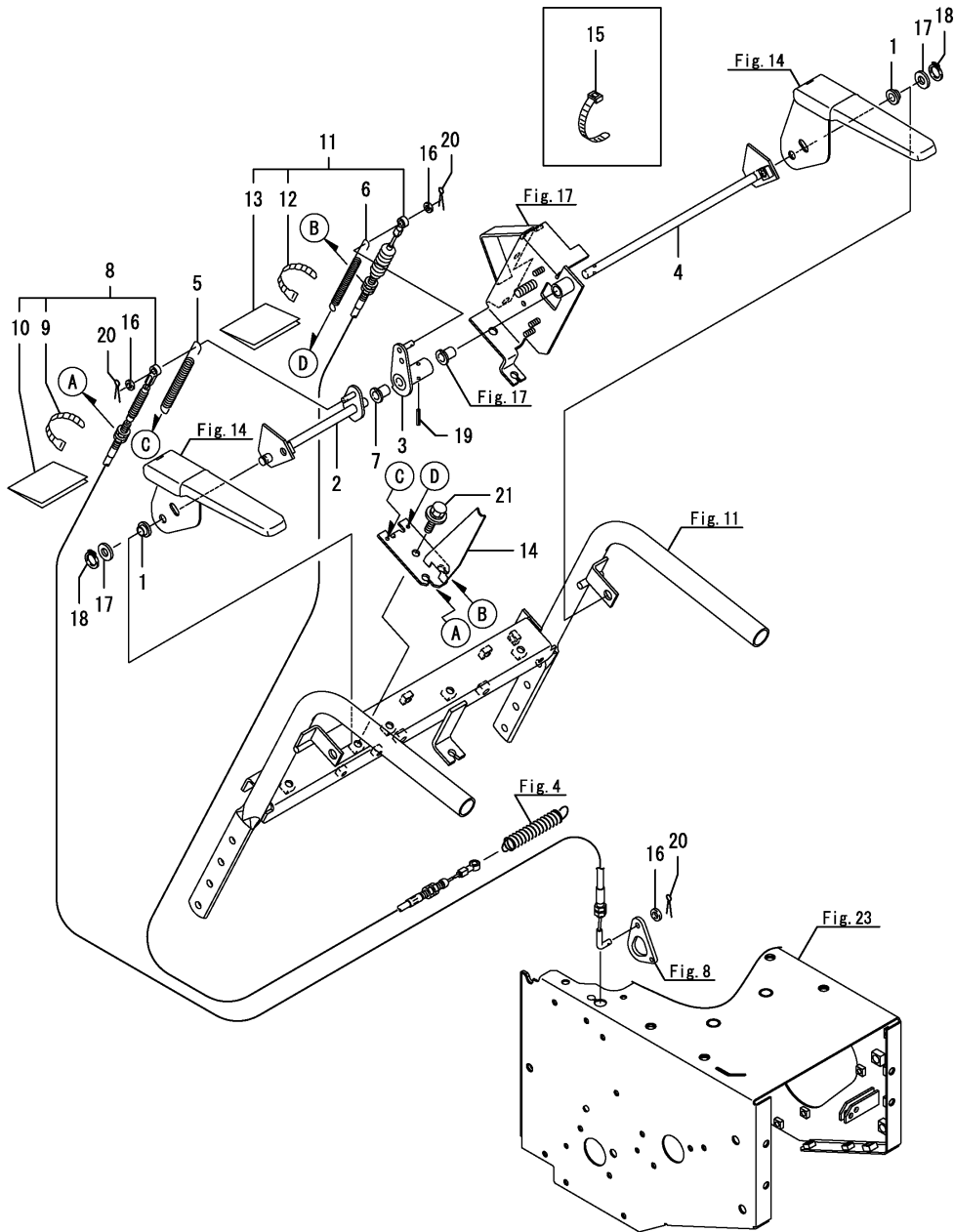




Fig.15. CLUTCH

(A)=JS-865C,PQ  
 (B)=JS-865C,S-PQ  
 (C)=

(D)=  
 (E)=  
 (F)=



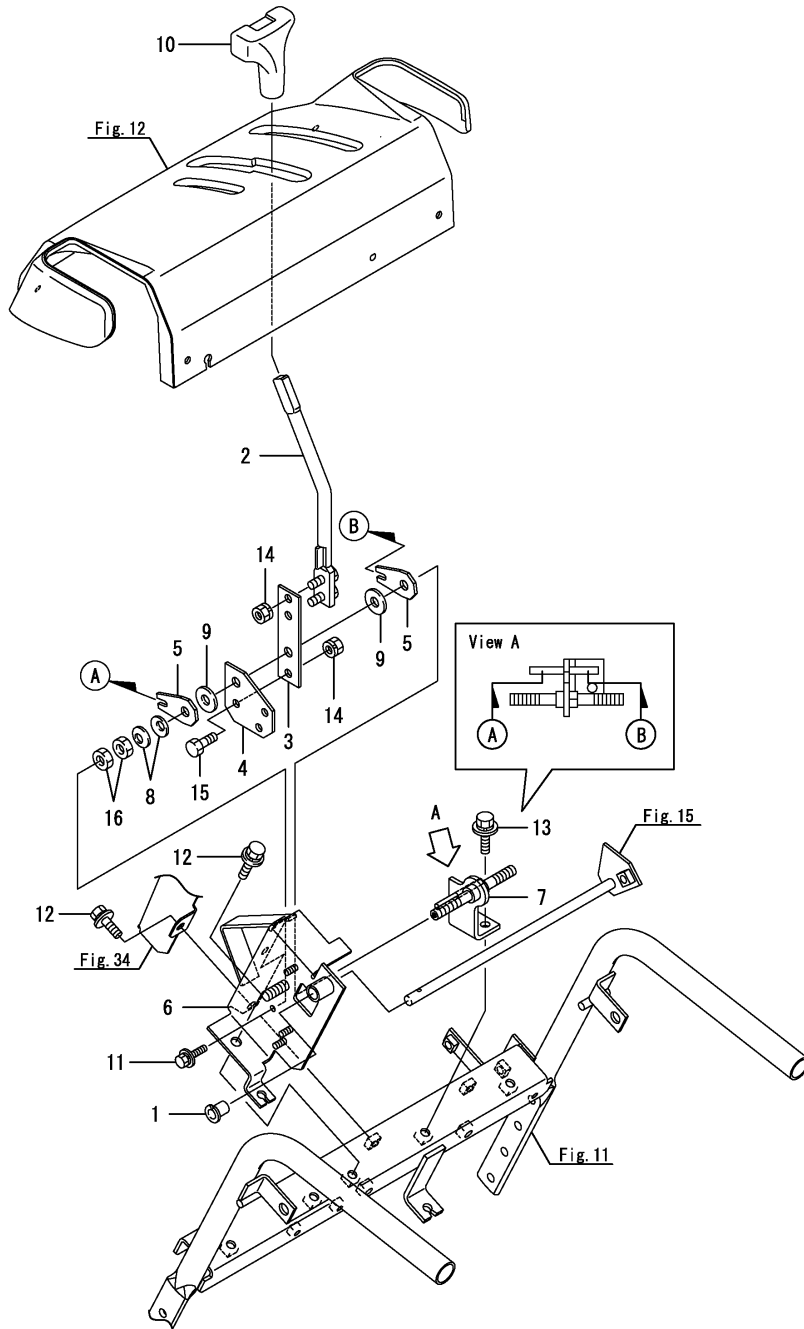
No.	Lev.	Parts No.	Description	Q'ty						I	R
				(A)	(B)	(C)	(D)	(E)	(F)		
1	1	1N3440-21300	BUSH, 10X3	2	2						
2	1	1N3850-31200	SHAFT, CLUTCH	1	1						
3	1	1N3790-31300	CLUTCH, WORK	1	1						
4	1	1N3850-31300	SHAFT, CLUTCH	1	1						
5	1	1N3850-31451	SPRING, 11.5X140	1	1						
6	1	1N3850-31460	SPRING, 9X140	1	1						
7	1	1N3021-31580	BUSH 10X15,FLANGED	1	1						
8	1	7N1A10-31600	WIRE, TRAVELING	1	1						
9	2	1J3999-07000	BAND 100B	1	1						
10	2	1N3790-96870	CHART, BAND	1	1						
11	1	7N3790-31650	WIRE, TRAVELING	1	1						
12	2	1J3999-07000	BAND 100B	1	1						
13	2	1N3790-96870	CHART, BAND	1	1						
14	1	1N3910-31701	MOUNT, WIRE	1	1						
15	1	1A1490-40540	BAND 180,WIRE LOCK	1	1						
16	1	22137-060000	WASHER, 6	3	3						
17	1	22137-100000	WASHER, 10	2	2						
18	1	22242-000100	RING, 10	2	2						
19	1	22351-040020	PIN, SPRING 4.0X20	1	1						
20	1	22417-200100	COTTER PIN 2.0X10	3	3						
21	1	26014-080202	BOLT, M8X 20	1	1						



Fig.17. SHIFT LEVER

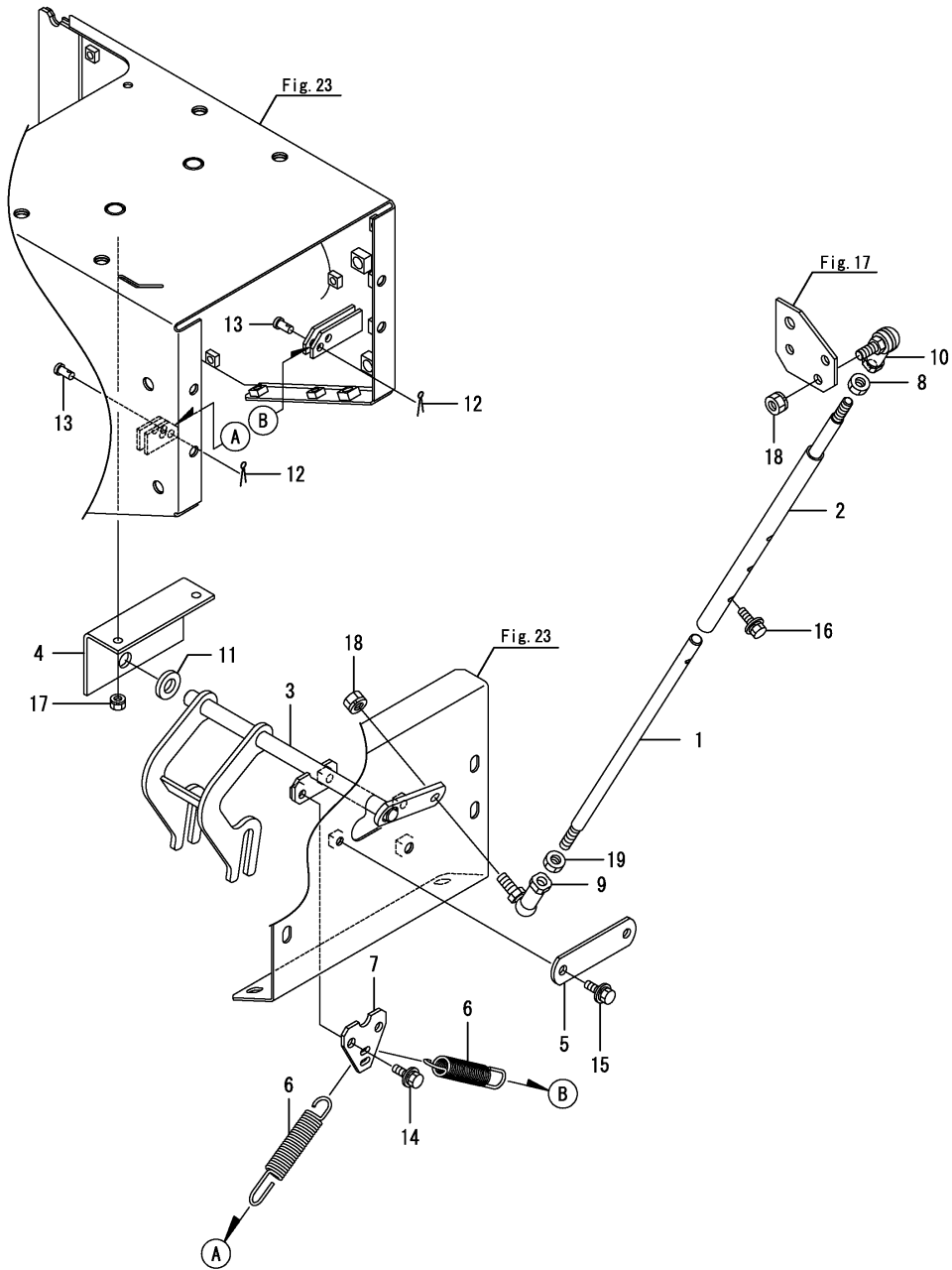
(A)=JS-865C,PQ  
 (B)=JS-865C,S-PQ  
 (C)=

(D)=  
 (E)=  
 (F)=



No.	Lev.	Parts No.	Description	Q'ty						I	R
				(A)	(B)	(C)	(D)	(E)	(F)		
1	1	1N3021-31580	BUSH 10X15,FLANGED	1	1						
2	1	1N3840-32000	LEVER, CHANGE	1	1						
3	1	1N3850-32050-1	SPRING, LEVER	1	1						
4	1	1N3850-32100	PLATE, MOUNTING	1	1						
5	1	1N3850-32150	WASHER, STOPPER	2	2						
6	1	1N3790-32400	SUPPORT, FULCRUM	1	1						
7	1	1N3790-32451	FULCRUM,LEVER	1	1						
8	1	195385-35870	SPRING, 10	2	2						
9	1	1C7100-48250	PLATE, FRICTION	2	2						
10	1	1E9170-64750	GRIP, LEVER 13	1	1						
11	1	26014-060162	BOLT, M6X 16	1	1						
12	1	26014-080202	BOLT, M8X 20	2	2						
13	1	26014-080202	BOLT, M8X 20	1	1						
14	1	26051-080002	NUT, M8	3	3						
15	1	26116-080162	BOLT, M8X 16 PLATED	1	1						
16	1	26717-100002	NUT, M10	2	2						

Fig.18. SHIFT ROD



(A)=JS-865C,PQ  
 (B)=JS-865C,S-PQ  
 (C)=

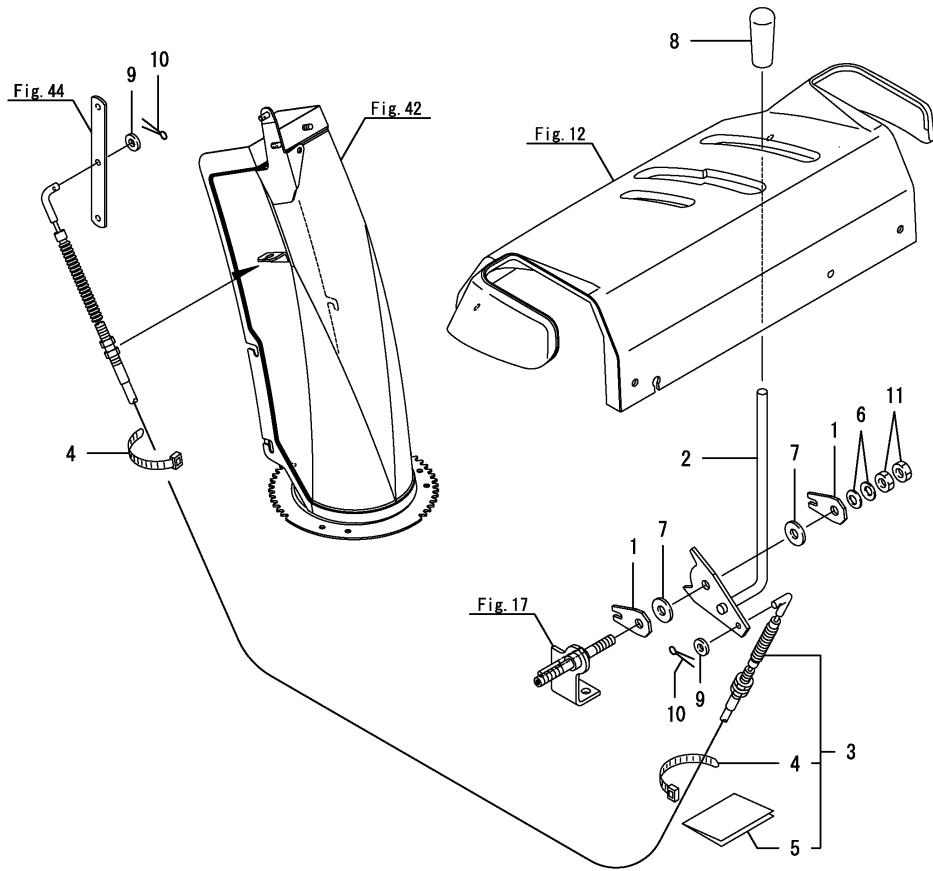
(D)=  
 (E)=  
 (F)=

No.	Lev.	Parts No.	Description	Q'ty						I	R
				(A)	(B)	(C)	(D)	(E)	(F)		
1	1	1N1A10-32160	ROD,8	1	1						
2	1	1N1A10-32190	ROD,8L	1	1						
3	1	1N3840-32301	ARM, SLIDE	1	1						
4	1	1N1A50-32350	PLATE,FULCRUM	1	1						
5	1	1N3300-32500-1	GUIDE,ARM,SLIDE	1	1						
6	1	1N3840-32600	SPRING, 14X98	2	2						
7	1	1N3840-32650	ARM, SPRING	1	1						
8	1	1N1570-32950	NUT 8	1	1						
9	1	1E4760-43090	BALL RBL8,LINK	1	1						
10	1	1E6740-64200	BALL, LINK	1	1						
11	1	22117-120000	WASHER, 12	1	1						
12	1	22417-160100	COTTER PIN	2	2						
13	1	22487-060120	PIN, H 6X 12	2	2						
14	1	26014-060162	BOLT, M6X 16	2	2						
15	1	26014-060162	BOLT, M6X 16	2	2						
16	1	26014-060162	BOLT, M6X 16	1	1						
17	1	26051-060002	NUT, M6	2	2						
18	1	26051-080002	NUT, M8	2	2						
19	1	26717-080002	NUT, M8	1	1						

Fig.19. SHOOTER LEVER

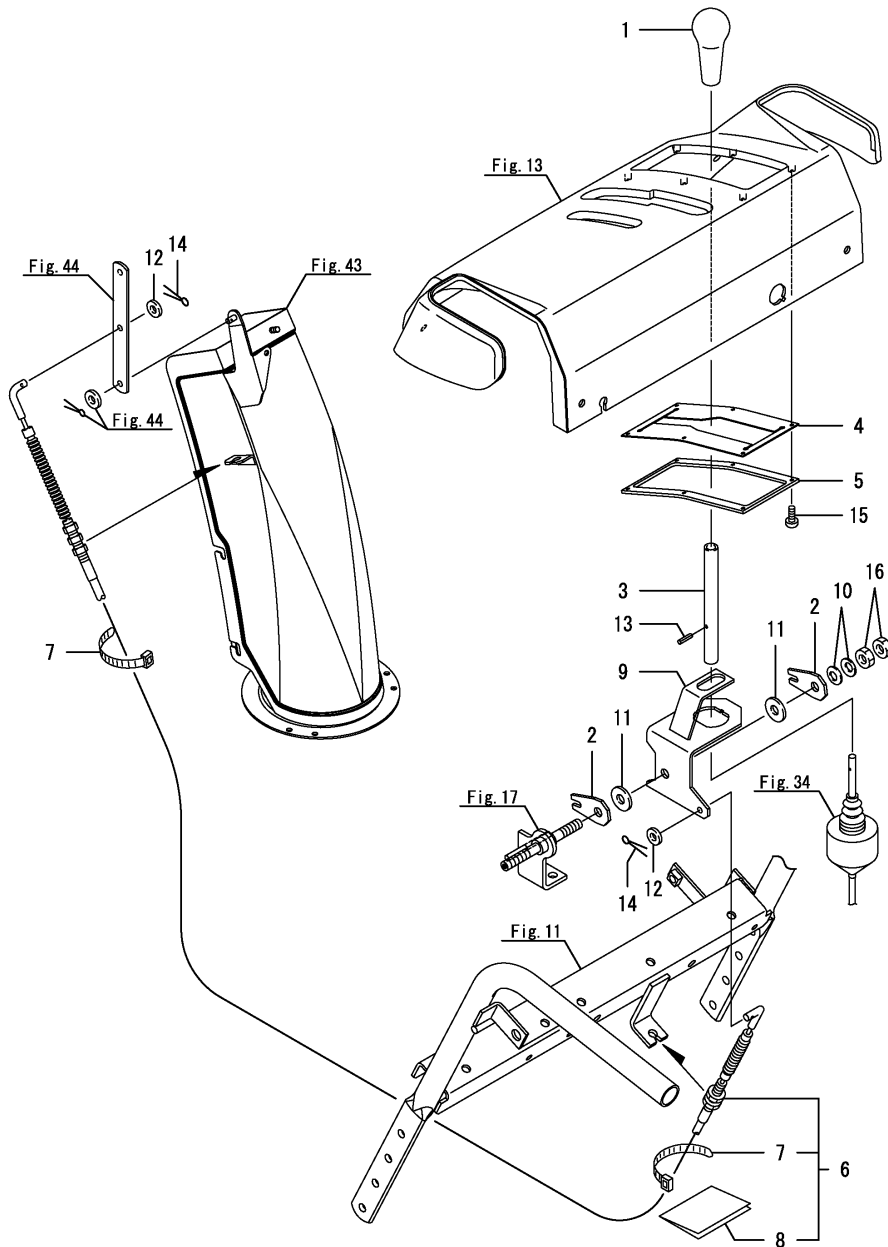
(A)=JS-865C,PQ  
 (B)=JS-865C,S-PQ  
 (C)=

(D)=  
 (E)=  
 (F)=



No.	Lev.	Parts No.	Description	Q'ty						I	R
				(A)	(B)	(C)	(D)	(E)	(F)		
1	1	1N3850-32150	WASHER, STOPPER	2							
2	1	1N3850-34000	LEVER, CHUTE	1							
3	1	7N1A50-34200	WIRE ASSY, CHUTE	1							
4	2	1J3999-07000	BAND 100B	2							
5	2	1N3790-96870	CHART, BAND	1							
6	1	195385-35870	SPRING, 10	2							
7	1	1C7100-48250	PLATE, FRICTION	2							
8	1	1A1102-57100	GRIP,MN.CLUTCH LEVER	1							
9	1	22137-060000	WASHER, 6	2							
10	1	22417-200100	COTTER PIN 2.0X10	2							
11	1	26717-100002	NUT, M10	2							

Fig.20. SHOOTER LEVER



(A)=JS-865C,PQ  
 (B)=JS-865C,S-PQ  
 (C)=

(D)=  
 (E)=  
 (F)=

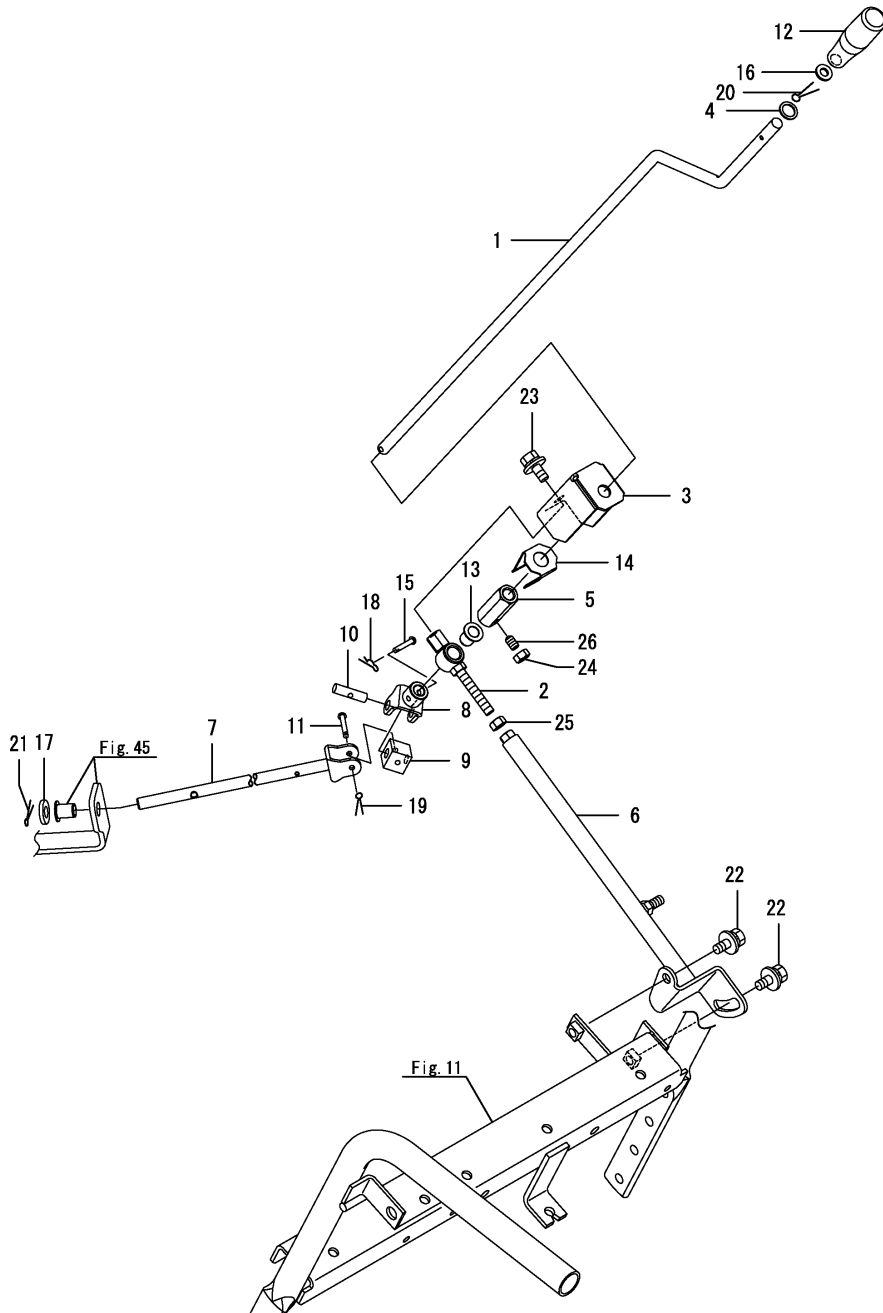
No.	Lev.	Parts No.	Description	Qty						I	R
				(A)	(B)	(C)	(D)	(E)	(F)		
1	1	1E4060-26430	GRIP, LEVER		1						
2	1	1N3850-32150	WASHER, STOPPER		2						
3	1	1N3335-34100	LEVER, CHUTE E		1						
4	1	1N3860-34151	RUBBER, SLIDE		1						
5	1	1N3860-34160	RETAINER, RUBBER		1						
6	1	7N1A50-34200	WIRE ASSY, CHUTE		1						
7	2	1J3999-07000	BAND 100B		2						
8	2	1N3790-96870	CHART, BAND		1						
9	1	1N3860-34202	ARM, CHUTE		1						
10	1	195385-35870	SPRING, 10		2						
11	1	1C7100-48250	PLATE, FRICTION		2						
12	1	22137-060000	WASHER, 6		2						
13	1	22351-030012	PIN, SPRING 3.0X12		1						
14	1	22417-200100	COTTER PIN 2.0X10		2						
15	1	22857-300080	SCREW, 3X 8		6						
16	1	26717-100002	NUT, M10		2						



Fig.21. CHUTE HANDLE

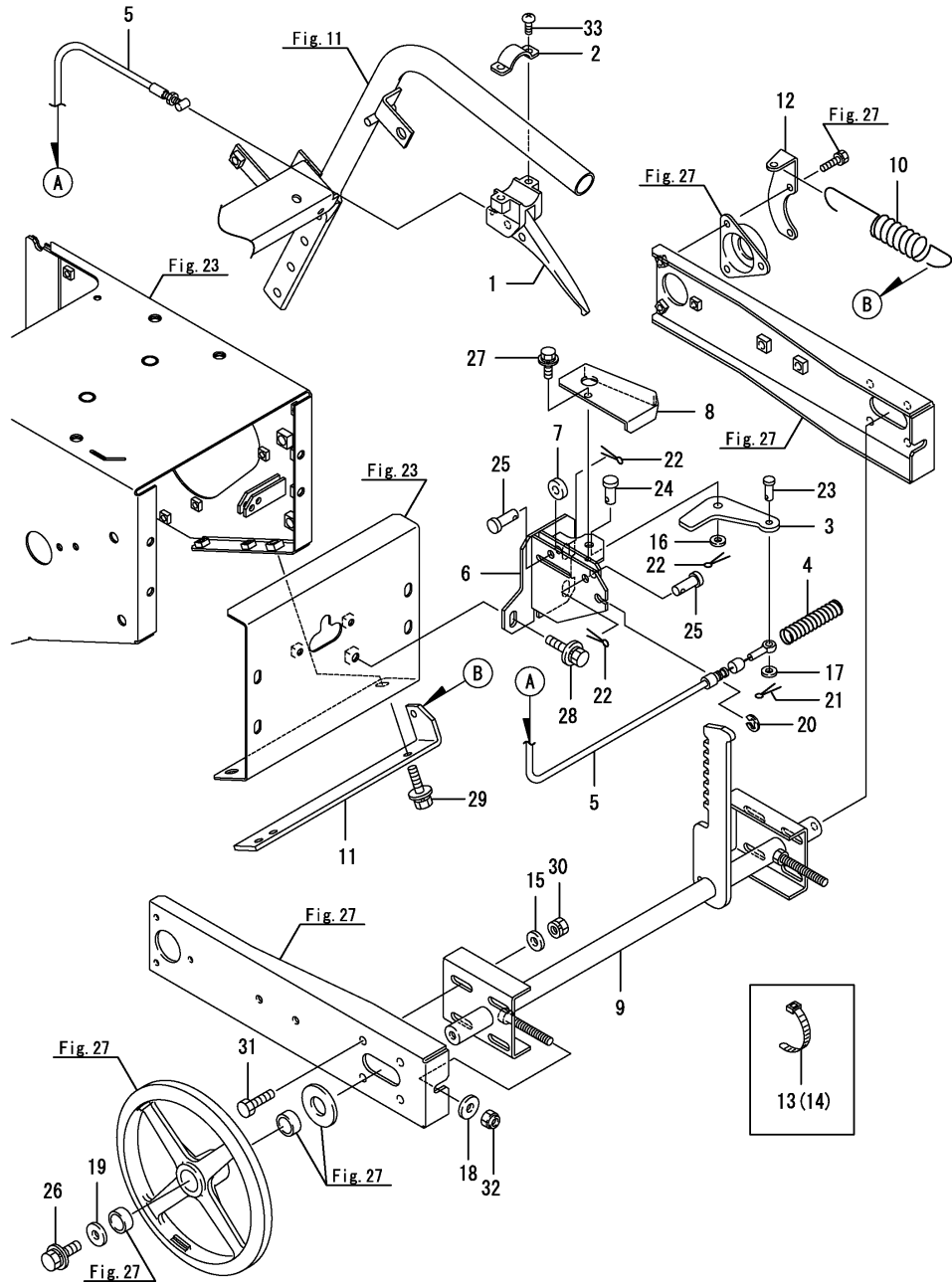
(A)=JS-865C,PQ  
(B)=JS-865C,S-PQ  
(C)=

(D)=  
(E)=  
(F)=



No.	Lev.	Parts No.	Description	Q'ty						I	R
				(A)	(B)	(C)	(D)	(E)	(F)		
1	1	1N1A10-34350	HANDLE,CHUTE	1							
2	1	1N1A10-34370	SUPPORT,HANDLE	1							
3	1	1N1A10-34382	GUIDE,HANDLE	1							
4	1	1N3021-34390	SPACER 10X14X1	1							
5	1	1N1A10-34500	STOPPER,HANDLE	1							
6	1	1N3390-34500	STAY,CHUTE HANDLE	1							
7	1	1N1A10-34601	ROD,JOINT	1							
8	1	1N3330-34651	JOINT, CONNECTING	1							
9	1	1N3330-34700	JOINT FULCRUM	1							
10	1	1N3021-34710	JOINT FULCRUM,PIN 8	1							
11	1	1N3021-34720	RIVET 4X27.5	1							
12	1	1N1711-35520	GRIP,SHOOT	1							
13	1	1F5300-43300	BUSH 1015	1							
14	1	1C1011-53430	SPRING	1							
15	1	1N3260-73250	RIVET 4X19.5	1							
16	1	22137-060000	WASHER, 6	1							
17	1	22137-100000	WASHER, 10	1							
18	1	22372-040000	PIN, SNAP 4	1							
19	1	22417-200100	COTTER PIN 2.0X10	1							
20	1	22417-200160	PIN, COTTER 2.0X16	1							
21	1	22417-200160	PIN, COTTER 2.0X16	1							
22	1	26014-080162	BOLT, M8X 16	2							
23	1	26014-080162	BOLT, M8X 16	1							
24	1	26717-060002	NUT, M6	1							
25	1	26717-080002	NUT, M8	1							
26	1	26979-060102	SCREW, M6X10	1							

Fig.22. LIFTING



(A)=JS-865C,PQ  
(B)=JS-865C,S-PQ  
(C)=

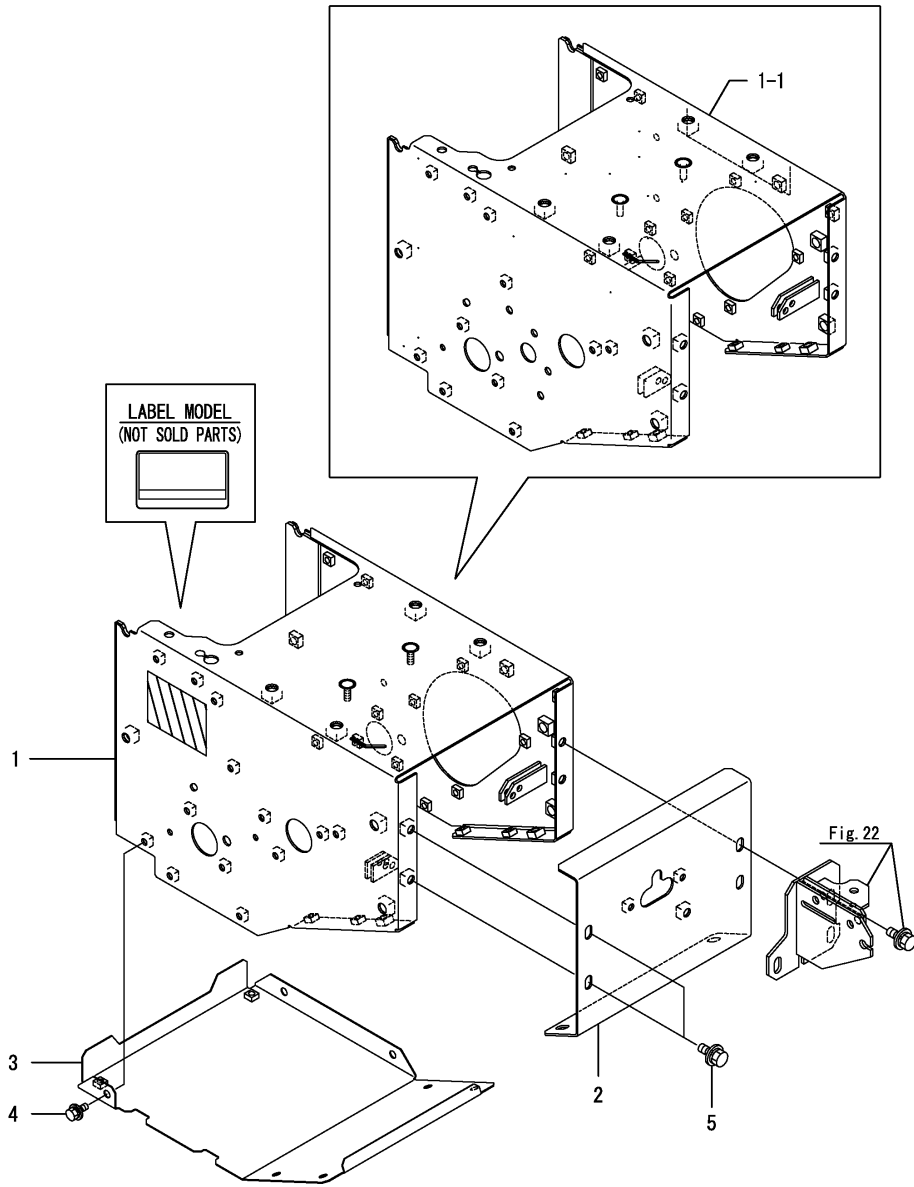
(D)=  
(E)=  
(F)=

No.	Lev.	Parts No.	Description	Q'ty						I	R
				(A)	(B)	(C)	(D)	(E)	(F)		
1	1	1N3390-35000	LEVER,LIFT	1	1						
2	1	1N3390-35060	PLATE	1	1						
3	1	1N3390-35100-1	PLATE,STOPPER	1	1						
4	1	1N3390-35150	SPRING,15X70	1	1						
5	1	1N3390-35250	WIRE,LIFTING	1	1						
6	1	1N1A10-35301	SUPPORT, LIFTING	1	1						
7	1	1N3390-35400	COLLER,GUIDE	1	1						
8	1	1N1A10-35450	COVER,LIFT	1	1						
9	1	1N3400-35501	SHAFT, IDLER	1	1						
10	1	1N3390-35600	SPRING,LIFT	1	1						
11	1	1N3390-35650-1	STAY,SPRING A	1	1						
12	1	1N3390-35700-1	STAY,SPRING B	1	1						
13	1	1A1490-40540	BAND 180,WIRE LOCK	1	1						
14	1	1E6102-84970	BAND 140,WIRE LOCK	1	1						
15	1	22137-080000	WASHER, 8	8	8						
16	1	22137-080000	WASHER, 8	1	1						
17	1	22157-060000	WASHER, 6	1	1						
18	1	22157-080000	WASHER, 8	2	2						
19	1	22157-080000	WASHER, 8	2	2						
20	1	22272-000060	RING, E- 6	1	1						
21	1	22417-160100	COTTER PIN	1	1						
22	1	22417-200160	PIN, COTTER 2.0X16	3	3						
23	1	22487-060160	PIN, H 6X 16	1	1						
24	1	22487-080120	PIN, H 8X 12	1	1						
25	1	22487-080160	PIN, H 8X 16	2	2						
26	1	26013-080252	BOLT, M8X 25	2	2						
27	1	26014-060122	BOLT, M6X 12	1	1						
28	1	26014-080202	BOLT, M8X 20	3	3						
29	1	26014-080202	BOLT, M8X 20	2	2						
30	1	26051-080002	NUT, M8	8	8						
31	1	26116-080202	BOLT, M8X 20 PLATED	8	8						
32	1	26347-080002	NUT, M8	2	2						
33	1	26557-060252	SCREW, M6X25	2	2						

Fig.23. CHASSIS FRAME

(A)=JS-865C,PQ  
 (B)=JS-865C,S-PQ  
 (C)=

(D)=  
 (E)=  
 (F)=

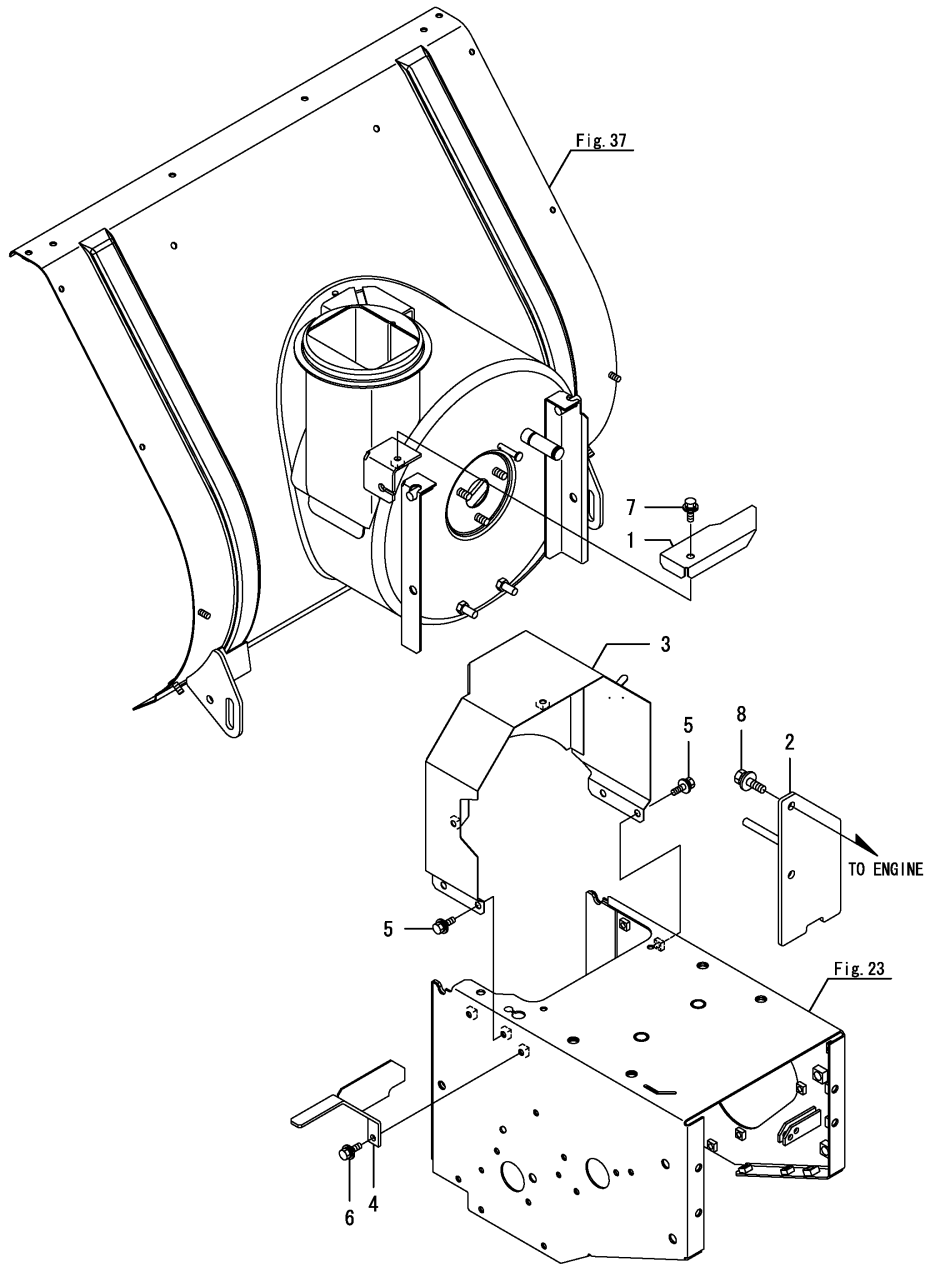


No.	Lev.	Parts No.	Description	Q'ty						I	R
				(A)	(B)	(C)	(D)	(E)	(F)		
1	1	1N1A50-36001	CHASSIS	1	1						
1-1	1	1N1A50-36002	CHASSIS	1	1						S
		(A=F510060) (B=F510060)									
2	1	1N1A50-36100	PLATE,REAR	1	1						
3	1	1N1A50-36190	PLATE,BOTTOM	1	1						
4	1	26014-060162	BOLT, M6X 16	7	7						
5	1	26014-080202	BOLT, M8X 20	2	2						

Fig.24. COVER(BELT)

(A)=JS-865C,PQ  
 (B)=JS-865C,S-PQ  
 (C)=

(D)=  
 (E)=  
 (F)=



No.	Lev.	Parts No.	Description	Qty						I	R
				(A)	(B)	(C)	(D)	(E)	(F)		
1	1	1N1A50-37060	COVER,BELT 2	1	1						
2	1	1N1A10-37100	COVER,BELT 3	1	1						
3	1	7N1A50-37100	COVER ASSY,PL BELT	1	1						
4	1	1N1A50-37351	STAY,COVER	1	1						
5	1	26014-060162	BOLT, M6X 16	4	4						
6	1	26014-060162	BOLT, M6X 16	1	1						
7	1	26014-060162	BOLT, M6X 16	1	1						
8	1	26014-080202	BOLT, M8X 20	2	2						

Fig.25. GEAR COVER

(A)=JS-865C,PQ  
 (B)=JS-865C,S-PQ  
 (C)=

(D)=  
 (E)=  
 (F)=

No.	Lev.	Parts No.	Description	Q'ty						I	R
				(A)	(B)	(C)	(D)	(E)	(F)		
1	1	1N3390-37100-1	COVER,GEAR	1	1						
2	1	26014-060162	BOLT, M6X 16	4	4						

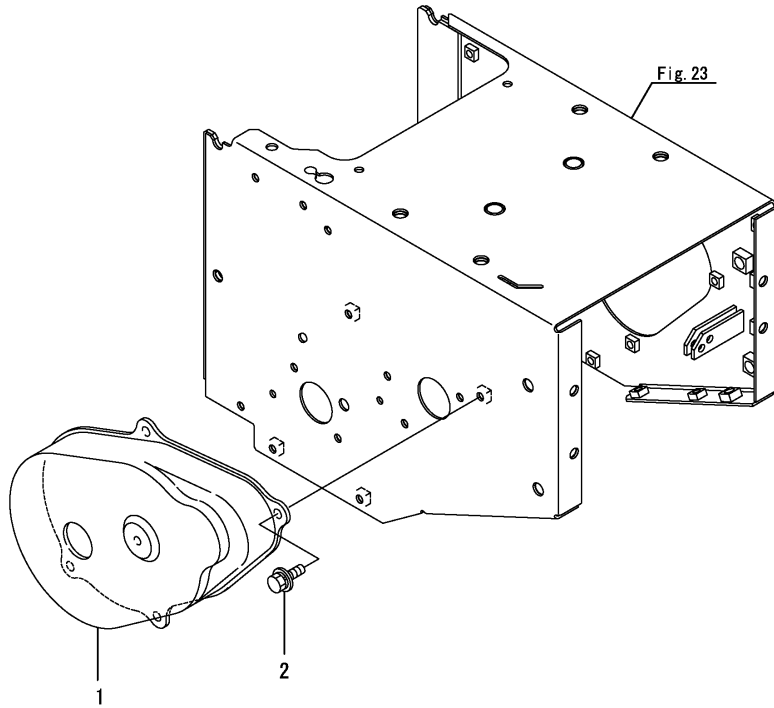




Fig.27. CRAWLER FRAME

(A)=JS-865C,PQ  
 (B)=JS-865C,S-PQ  
 (C)=

(D)=  
 (E)=  
 (F)=

No.	Lev.	Parts No.	Description	Q'ty						I	R
				(A)	(B)	(C)	(D)	(E)	(F)		
1	1	1N3300-25100	JOINT 6004	2	2						
2	1	1N3390-38200-1	FRAME,CRAWLER	2	2						
3	1	1N3400-38400	COLLAR 20X25X44.7	1	1						
4	1	1N3400-38450	COLLAR,20X25X73	1	1						
5	1	1N1723-38500-1	SPROCKET, 11-43	2	2						
6	1	1N3021-38600-1	WHEEL	2	2						
7	1	22137-200000	WASHER, 20	2	2						
8	1	22157-080000	WASHER, 8	2	2						
9	1	22550-050300	KEY 5X30	2	2						
10	1	24104-060044	BEARING, BALL 6004UU	2	2						
11	1	24550-020100	BUSH, 20X10	4	4						
12	1	26013-080252	BOLT, M8X 25	2	2						
13	1	26014-060162	BOLT, M6X 16	6	6						

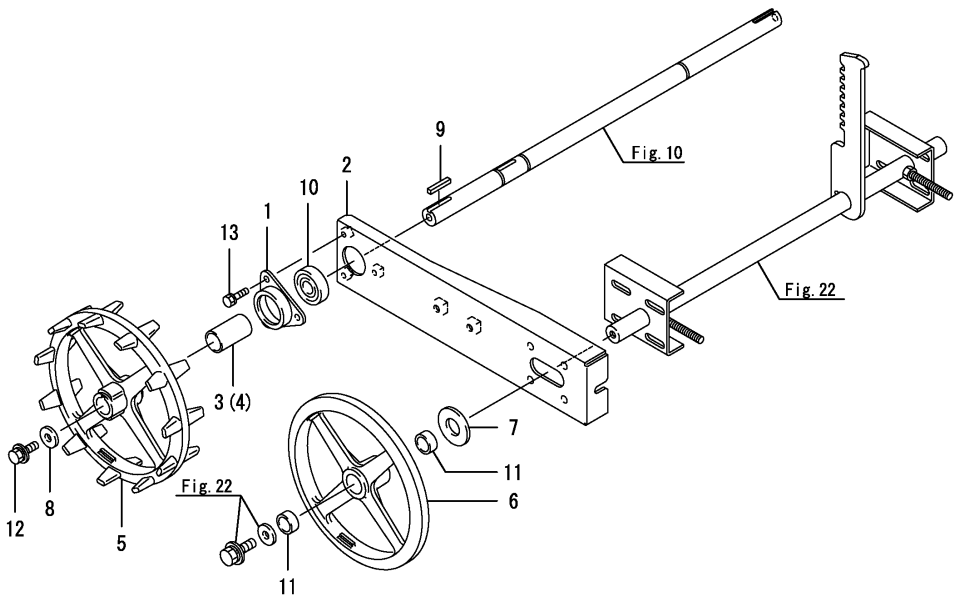


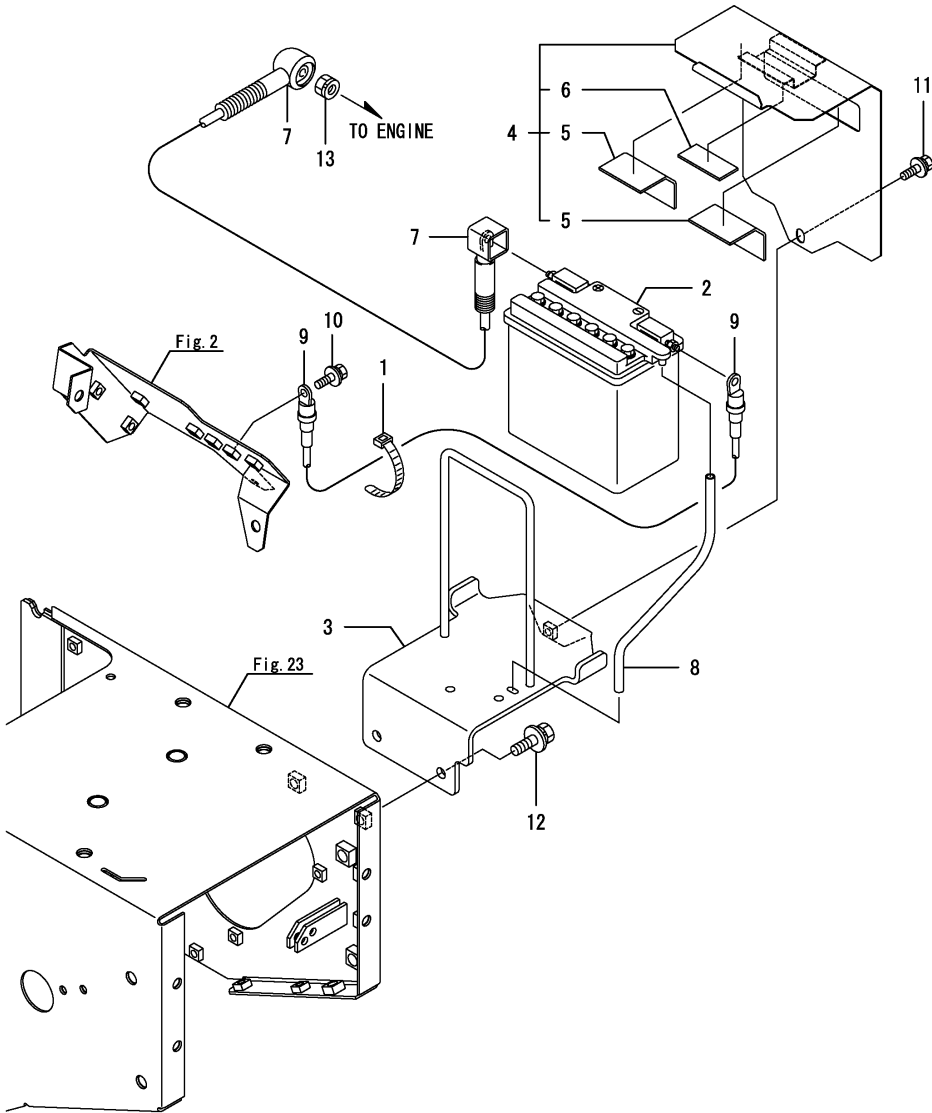




Fig.29. BATTERY

(A)=JS-865C,PQ  
 (B)=JS-865C,S-PQ  
 (C)=

(D)=  
 (E)=  
 (F)=

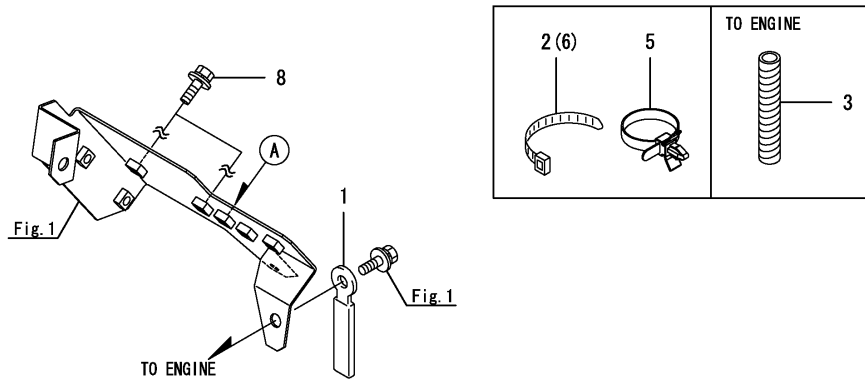
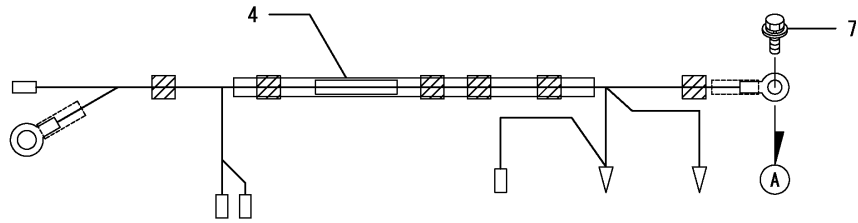


No.	Lev.	Parts No.	Description	Q'ty						I	R
				(A)	(B)	(C)	(D)	(E)	(F)		
1	1	1A1490-40540	BAND 180,WIRE LOCK		1						
2	1	1N3300-51010	BATTERY YB12AL-A		1						
3	1	1N1A10-51221	REST,BATTERY		1						
4	1	7N1A10-51220	COVER, BATTERY		1						
5	2	1N1723-00450	PLATE, RUBBER		2						
6	2	1N1A10-51300	RUBBER,20X45		1						
7	1	1N1A50-51300	CABLE,PLUS		1						
8	1	1N1710-51350	PIPE,VINYL		1						
9	1	1N3790-51350	CABLE, - BATTERY		1						
10	1	26014-060162	BOLT, M6X 16		1						
11	1	26014-060162	BOLT, M6X 16		1						
12	1	26014-080202	BOLT, M8X 20		2						
13	1	26051-080002	NUT, M8		1						

Fig.30. WIRE HARNESS

(A)=JS-865C,PQ  
 (B)=JS-865C,S-PQ  
 (C)=

(D)=  
 (E)=  
 (F)=

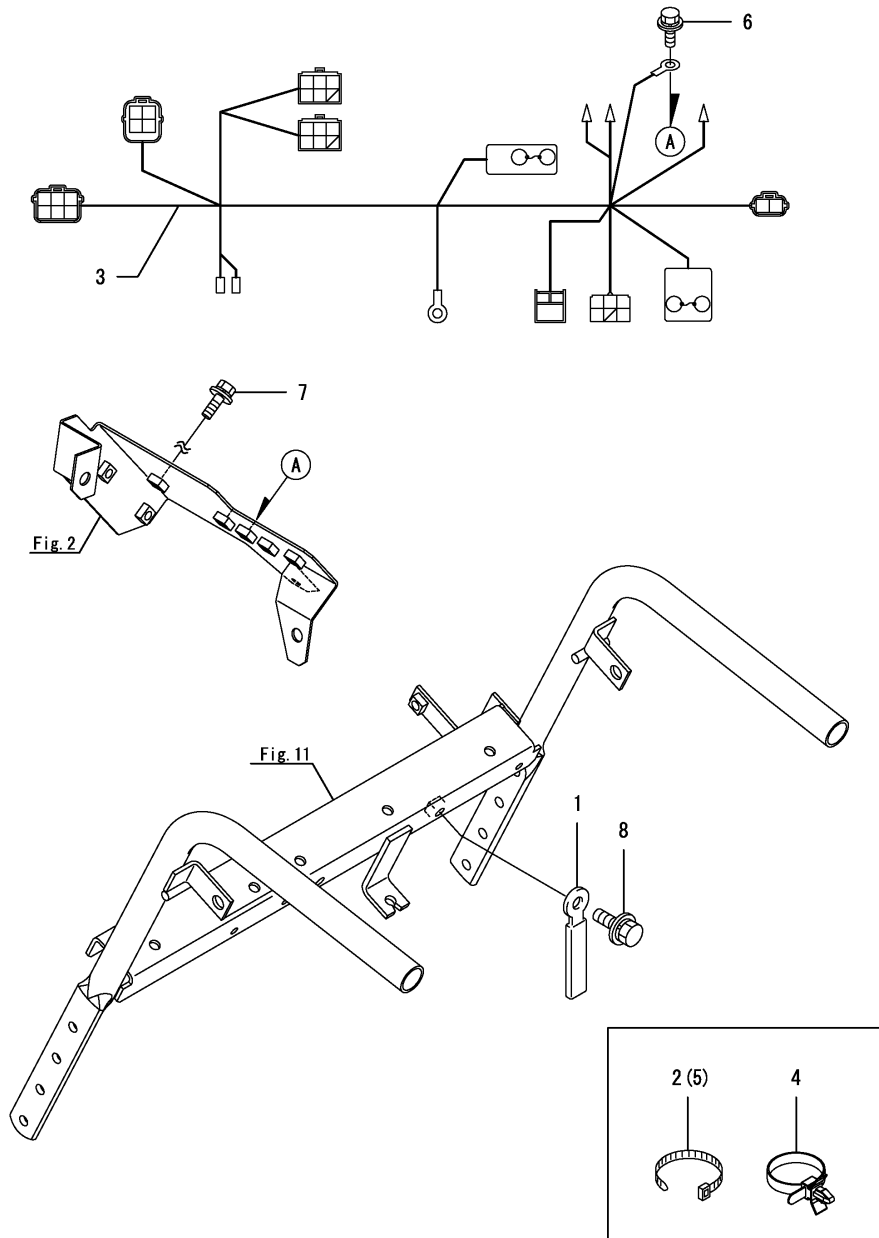


No.	Lev.	Parts No.	Description	Q'ty						I	R
				(A)	(B)	(C)	(D)	(E)	(F)		
1	1	1J3670-11390	CLAMP 8,WIRE	1							
2	1	1A1490-40540	BAND 180,WIRE LOCK	2							
3	1	1N1723-51280	TUBE, 80	1							
4	1	1N1A10-51450	HARNESS ASSY,	1							
5	1	1E8775-84120	CLAMP, BAND	2							
6	1	1E6102-84970	BAND 140,WIRE LOCK	2							
7	1	26014-060162	BOLT, M6X 16	1							
8	1	26014-060162	BOLT, M6X 16	2							

Fig.31. WIRE HARNESS

(A)=JS-865C,PQ  
 (B)=JS-865C,S-PQ  
 (C)=

(D)=  
 (E)=  
 (F)=



No.	Lev.	Parts No.	Description	Q'ty						I	R
				(A)	(B)	(C)	(D)	(E)	(F)		
1	1	1J3670-11390	CLAMP 8,WIRE		1						
2	1	1A1490-40540	BAND 180,WIRE LOCK		2						
3	1	1N1A50-51400	HARNESS ASSY, E		1						
4	1	1E8775-84120	CLAMP, BAND		1						
5	1	1E6102-84970	BAND 140,WIRE LOCK		2						
6	1	26014-060162	BOLT, M6X 16		1						
7	1	26014-060252	BOLT, M6X 25		1						
8	1	26014-080202	BOLT, M8X 20		1						

Fig.32. SWITCH(STOP SWITCH)

(A)=JS-865C,PQ  
 (B)=JS-865C,S-PQ  
 (C)=

(D)=  
 (E)=  
 (F)=

No.	Lev.	Parts No.	Description	Q'ty						I	R
				(A)	(B)	(C)	(D)	(E)	(F)		
1	1	1A1470-40900	SWITCH,STOP	1							
2	1	26051-080002	NUT, M8	1							

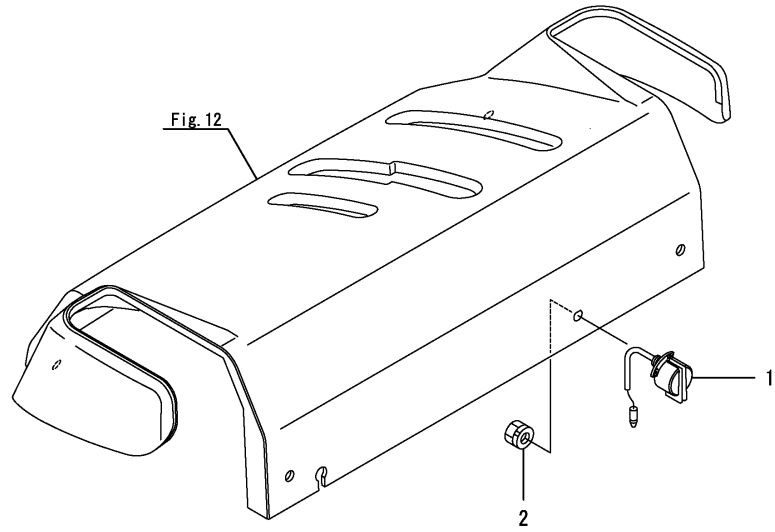


Fig.33. SWITCH(KEY SWITCH)

(A)=JS-865C,PQ  
 (B)=JS-865C,S-PQ  
 (C)=

(D)=  
 (E)=  
 (F)=

No.	Lev.	Parts No.	Description	Q'ty						I	R
				(A)	(B)	(C)	(D)	(E)	(F)		
1	1	1N3021-52300	SWITCH ASSY.,KEY		1						

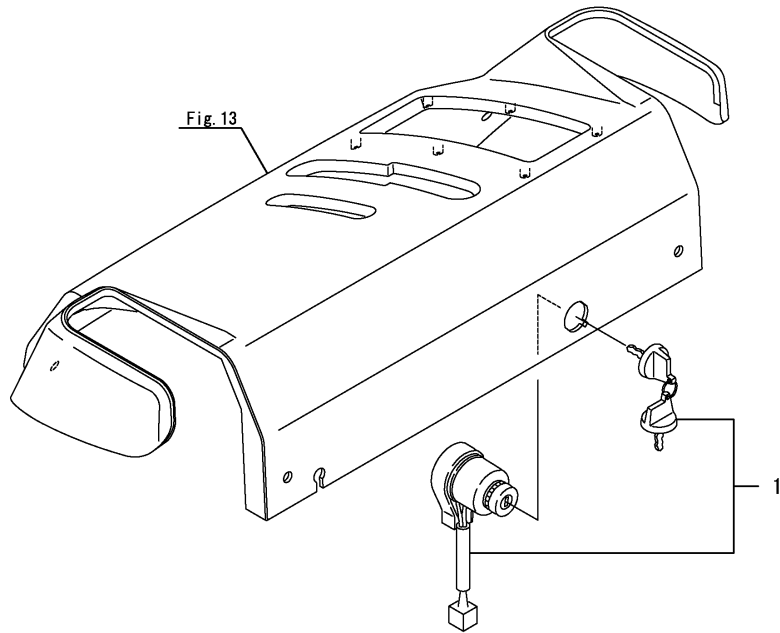


Fig.34. SWITCH(MOTOR)

(A)=JS-865C,PQ  
 (B)=JS-865C,S-PQ  
 (C)=

(D)=  
 (E)=  
 (F)=

No.	Lev.	Parts No.	Description	Q'ty						I	R
				(A)	(B)	(C)	(D)	(E)	(F)		
1	1	1C1300-17300	MOTOR, GS34(7T		1						
2	1	1N3790-35850	HOSE, VINYL		1						
3	1	1N1723-51280	TUBE, 80		1						
4	1	1N1A10-51500	COVER,RELAY		1						
5	1	1N1723-52101	SWITCH, LEVER		1						
6	1	1N3280-73740	SCREW 5X14AEX.TAPPNG		3						
7	1	1E6650-82300	RELAY, A-2		2						
8	1	26014-060162	BOLT, M6X 16		2						
9	1	26014-080202	BOLT, M8X 20		1						

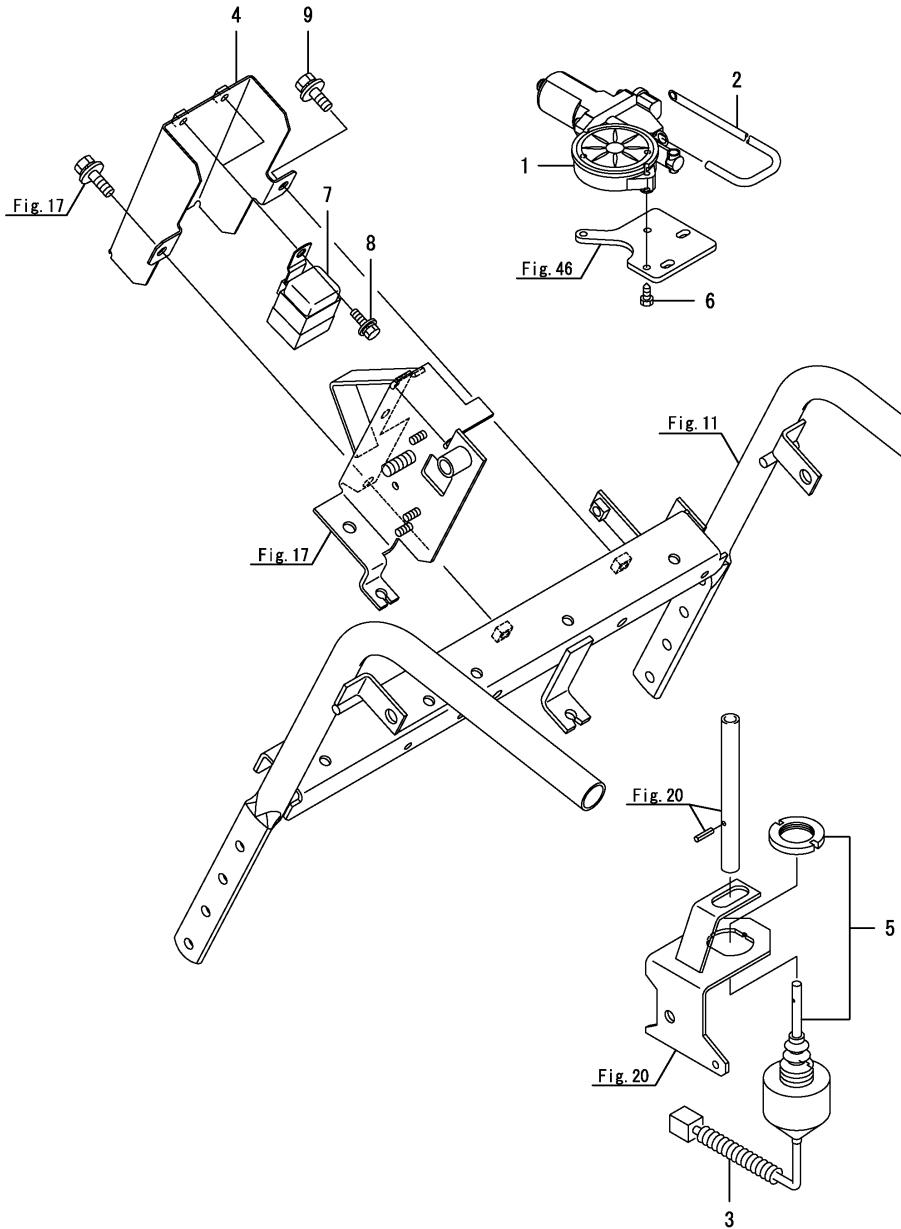


Fig.35. LAMP

(A)=JS-865C,PQ  
 (B)=JS-865C,S-PQ  
 (C)=

(D)=  
 (E)=  
 (F)=

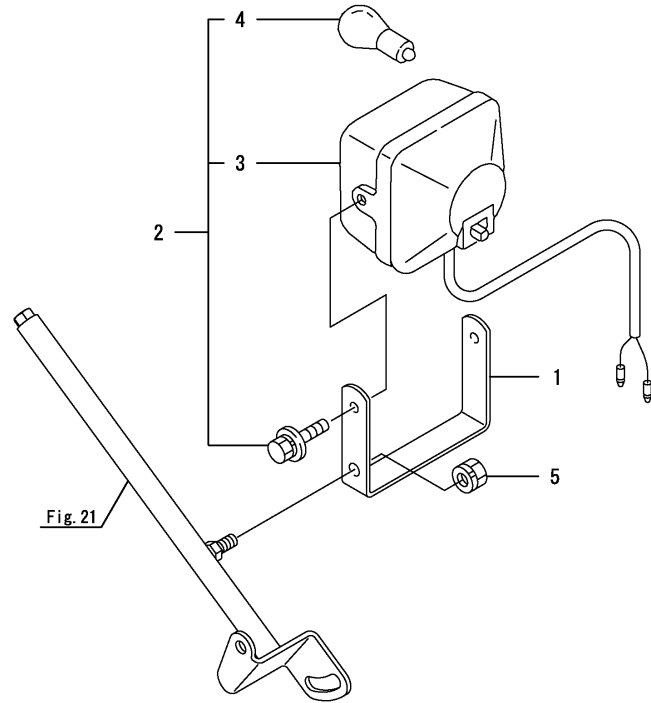
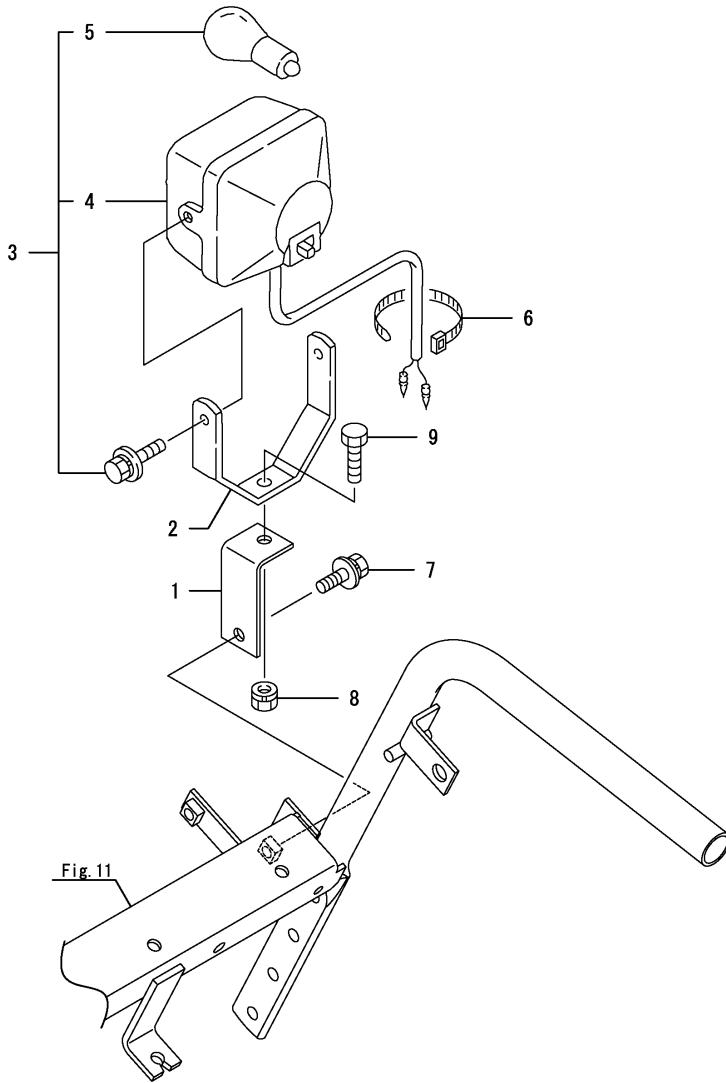


Fig. 21

No.	Lev.	Parts No.	Description	Q'ty						I	R
				(A)	(B)	(C)	(D)	(E)	(F)		
1	1	1N3400-51450	STAY,LIGHT	1							
2	1	1N1711-51850	HEADLIGHT COMPL.	1							
3	2	1N1711-51380	BODY ASSY, LIGHT	1							
4	2	1N1711-51860	LAMP 12V-15W G23	1							
5	1	26051-080002	NUT, M8	1							

Fig.36. LAMP



(A)=JS-865C,PQ  
(B)=JS-865C,S-PQ  
(C)=

(D)=  
(E)=  
(F)=

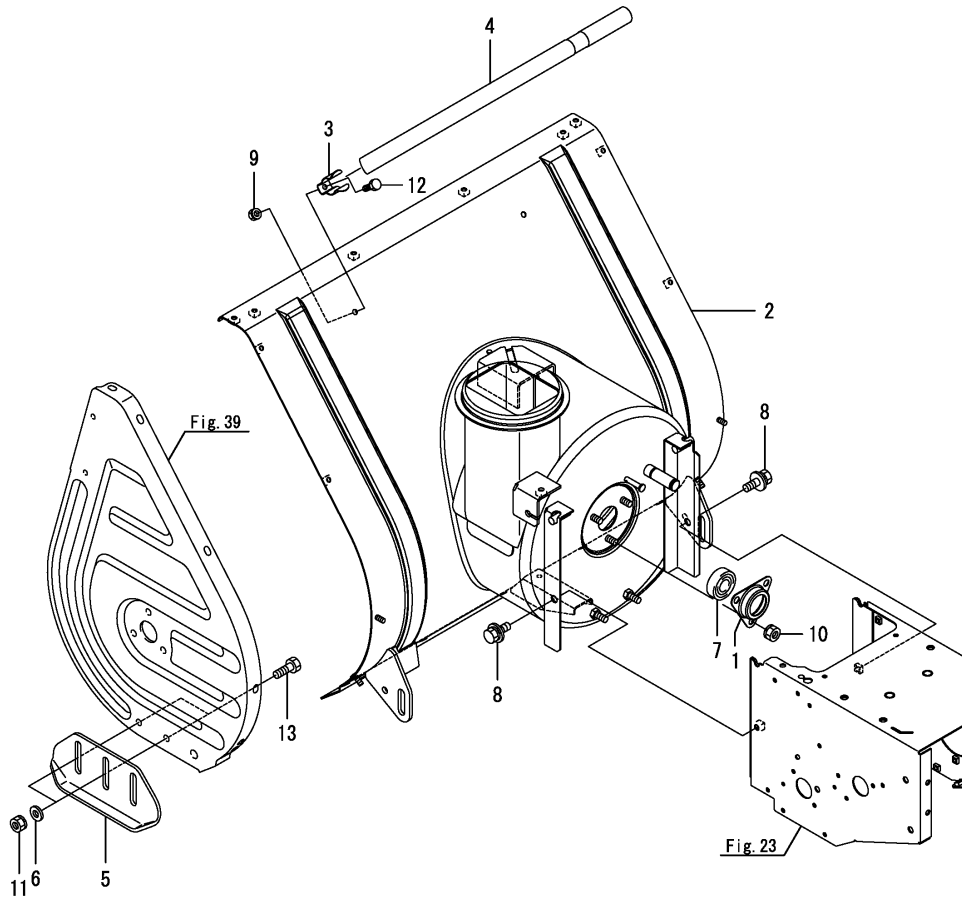
No.	Lev.	Parts No.	Description	Q'ty						I	R
				(A)	(B)	(C)	(D)	(E)	(F)		
1	1	1N3860-34250	SEAT, LIGHT		1						
2	1	1N1711-51390	STAY,HEADLIGHT		1						
3	1	1N1711-51850	HEADLIGHT COMPL.		1						
4	2	1N1711-51380	BODY ASSY, LIGHT		1						
5	2	1N1711-51860	LAMP 12V-15W G23		1						
6	1	1E8775-84120	CLAMP, BAND		1						
7	1	26014-080202	BOLT, M8X 20		1						
8	1	26051-080002	NUT, M8		1						
9	1	26117-080162	BOLT M 8X 16 PLATED		1						



Fig.37. AUGER FRAME

(A)=JS-865C,PQ  
 (B)=JS-865C,S-PQ  
 (C)=

(D)=  
 (E)=  
 (F)=

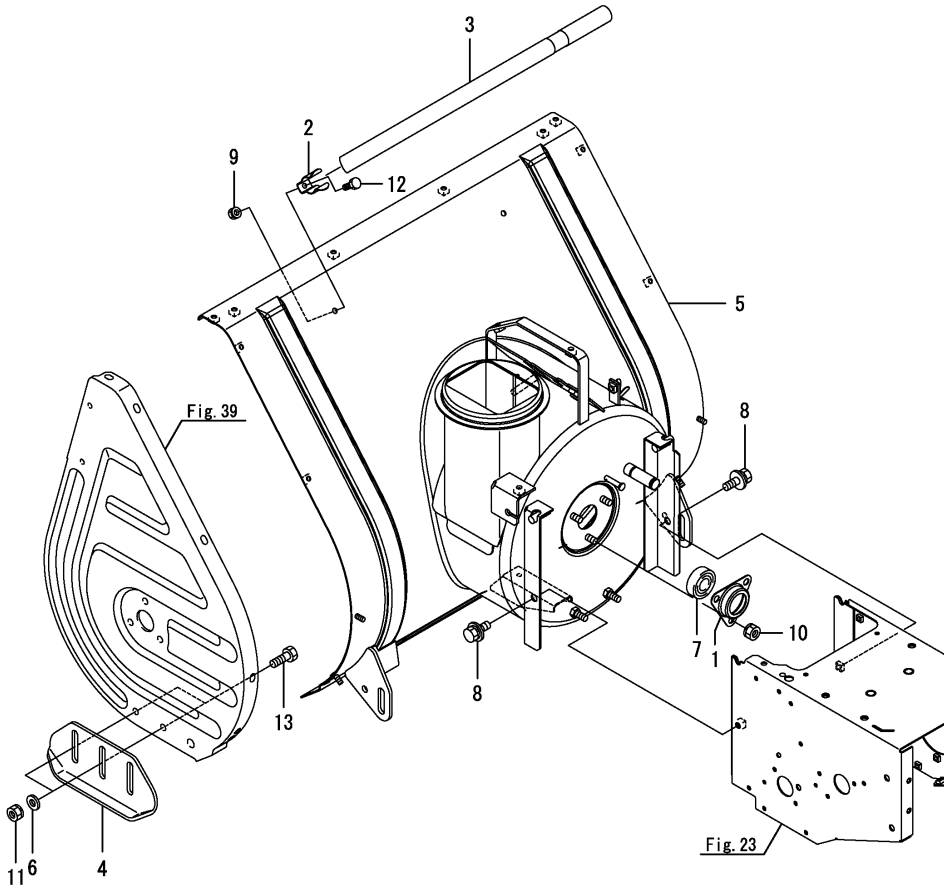


No.	Lev.	Parts No.	Description	Q'ty						I	R
				(A)	(B)	(C)	(D)	(E)	(F)		
1	1	1N1570-38210	BEARING 6203B	1							
2	1	1N1A50-71000	FRAME,SNOW REMOVING	1							
3	1	1N1710-71062-2	STOPPER	2							
4	1	1N1710-71072	ROD,SNOW SHOVELING	1							
5	1	1N3300-71401-1	SHOE	2							
6	1	22157-080000	WASHER, 8	4							
7	1	24104-062034	BEARING, BALL 6203UU	1							
8	1	26014-080202	BOLT, M8X 20	2							
9	1	26051-060002	NUT, M6	2							
10	1	26051-080002	NUT, M8	3							
11	1	26051-080002	NUT, M8	4							
12	1	26116-060122	BOLT, M6X 12 PLATED	2							
13	1	26116-080202	BOLT, M8X 20 PLATED	4							

Fig.38. AUGER FRAME

(A)=JS-865C,PQ  
 (B)=JS-865C,S-PQ  
 (C)=

(D)=  
 (E)=  
 (F)=



No.	Lev.	Parts No.	Description	Q'ty						I	R
				(A)	(B)	(C)	(D)	(E)	(F)		
1	1	1N1570-38210	BEARING 6203B		1						
2	1	1N1710-71062-2	STOPPER		2						
3	1	1N1710-71072	ROD,SNOW SHOVELING		1						
4	1	1N3300-71401-1	SHOE		2						
5	1	1N1A50-71500	FRAME,REMOVING		1						
6	1	22157-080000	WASHER, 8		4						
7	1	24104-062034	BEARING, BALL 6203UU		1						
8	1	26014-080202	BOLT, M8X 20		2						
9	1	26051-060002	NUT, M6		2						
10	1	26051-080002	NUT, M8		3						
11	1	26051-080002	NUT, M8		4						
12	1	26116-060122	BOLT, M6X 12 PLATED		2						
13	1	26116-080202	BOLT, M8X 20 PLATED		4						

Fig.39. AUGER PLATE

(A)=JS-865C,PQ  
 (B)=JS-865C,S-PQ  
 (C)=

(D)=  
 (E)=  
 (F)=

No.	Lev.	Parts No.	Description	Q'ty						I	R
				(A)	(B)	(C)	(D)	(E)	(F)		
1	1	1N1570-38200	BEARING 6203C	2	2						
2	1	1N3370-71300	PLATE L,AUGER SIDE	1	1						
3	1	1N3370-71350	PLATE R,AUGER SIDE	1	1						
4	1	22137-060000	WASHER, 6	4	4						
5	1	24104-062034	BEARING, BALL 6203UU	2	2						
6	1	26014-060122	BOLT, M6X 12	6	6						
7	1	26014-080162	BOLT, M8X 16	6	6						
8	1	26051-060002	NUT, M6	4	4						

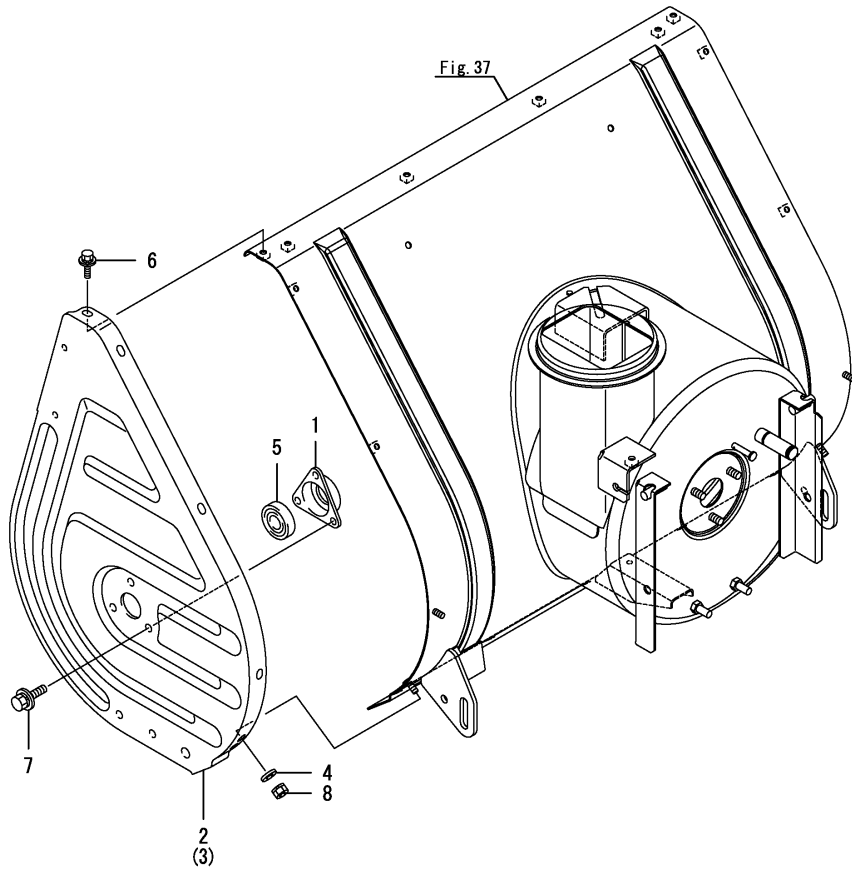


Fig.40. AUGER BOTTOM

(A)=JS-865C,PQ  
 (B)=JS-865C,S-PQ  
 (C)=

(D)=  
 (E)=  
 (F)=

No.	Lev.	Parts No.	Description	Q'ty						I	R
				(A)	(B)	(C)	(D)	(E)	(F)		
1	1	1N1A50-71300	PLATE,BOTTOM(650	1	1						
2	1	1N3300-71320	BOLT	5	5						
3	1	1N3300-71330	BOLT	2	2						
4	1	22137-060000	WASHER, 6	5	5						
5	1	22157-080000	WASHER, 8	2	2						
6	1	26051-060002	NUT, M6	5	5						
7	1	26051-080002	NUT, M8	2	2						

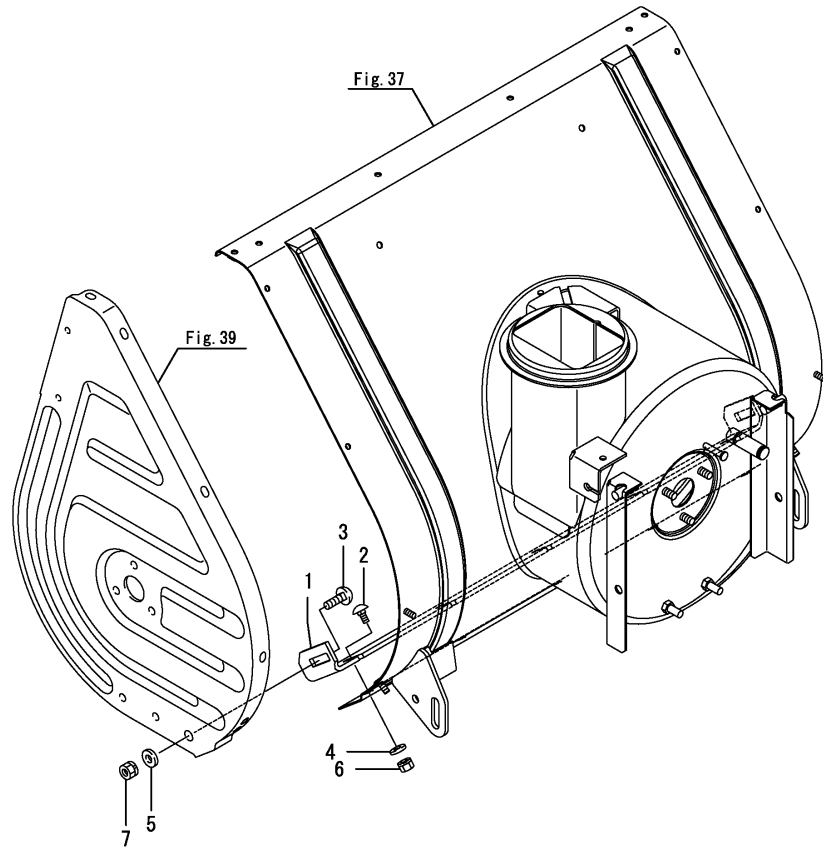
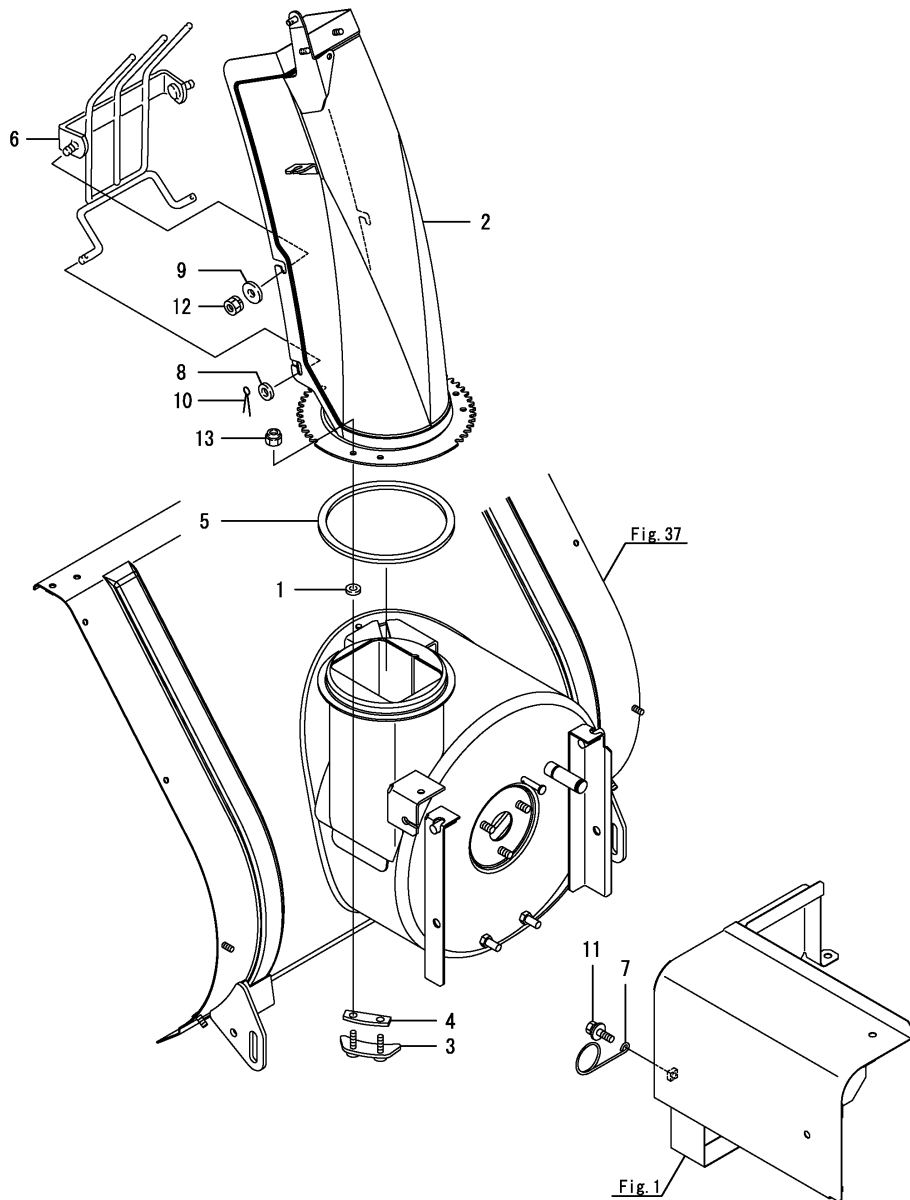




Fig.42. SHOOTER

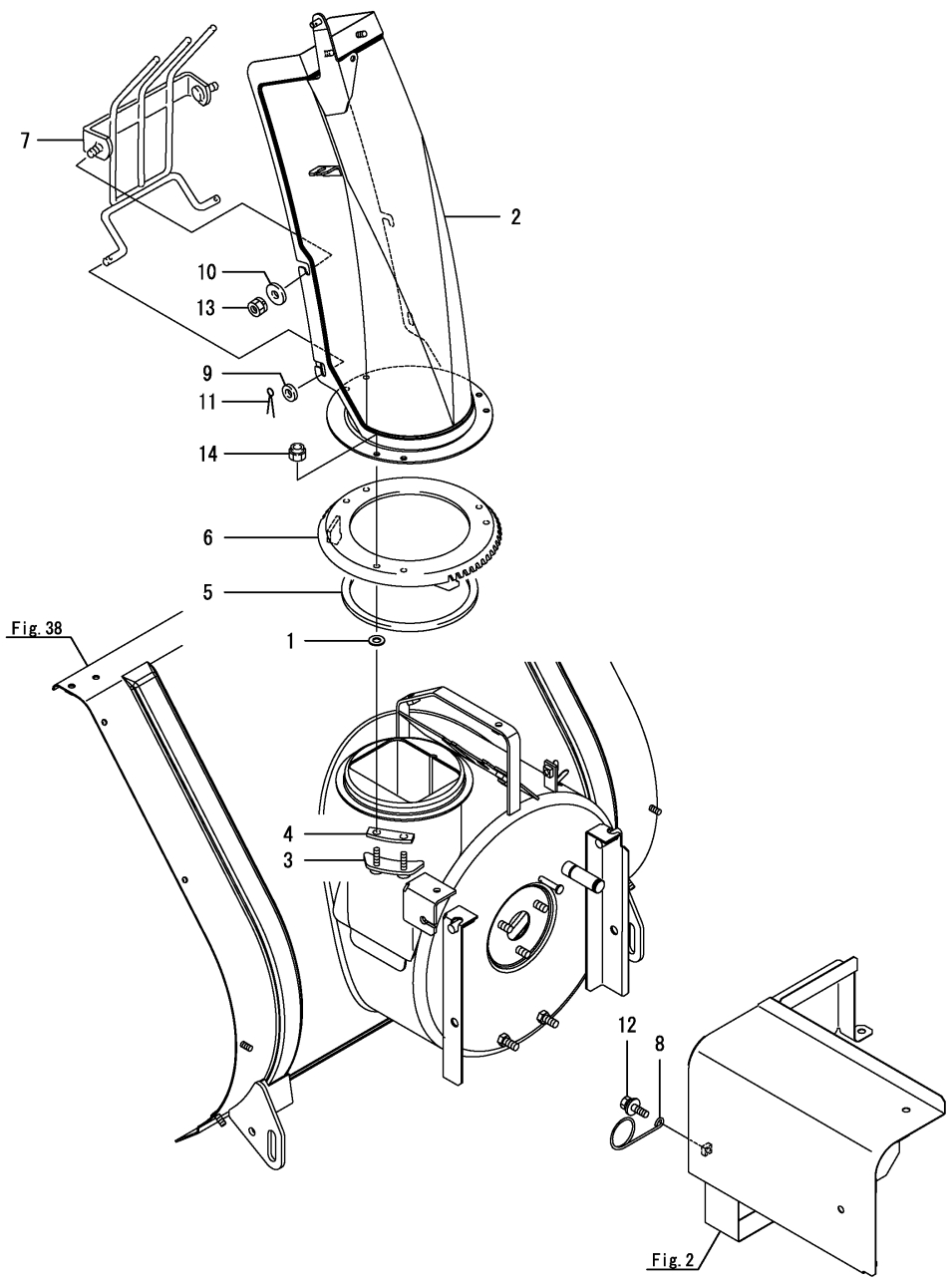
(A)=JS-865C,PQ  
 (B)=JS-865C,S-PQ  
 (C)=

(D)=  
 (E)=  
 (F)=



No.	Lev.	Parts No.	Description	Q'ty						I	R
				(A)	(B)	(C)	(D)	(E)	(F)		
1	1	1J3999-02160	WASHER	6							
2	1	7N1A10-73000	CHUTE,	1							
3	1	1N3021-73201	FIXTURE A,SHOOTER	3							
4	1	1N1711-73240	SPACER	3							
5	1	1N1711-73280	PLATE,FLOOR	1							
6	1	1N1960-73502	GUARD	1							
7	1	1N1A50-73950	GUIDE,WIRE	1							
8	1	22137-060000	WASHER, 6	2							
9	1	22157-060000	WASHER, 6	2							
10	1	22417-200120	COTTER PIN 2.0X12	2							
11	1	26014-060162	BOLT, M6X 16	1							
12	1	26051-060002	NUT, M6	2							
13	1	26347-060002	NUT, M6	6							

Fig.43. SHOOTER



(A)=JS-865C,PQ  
 (B)=JS-865C,S-PQ  
 (C)=

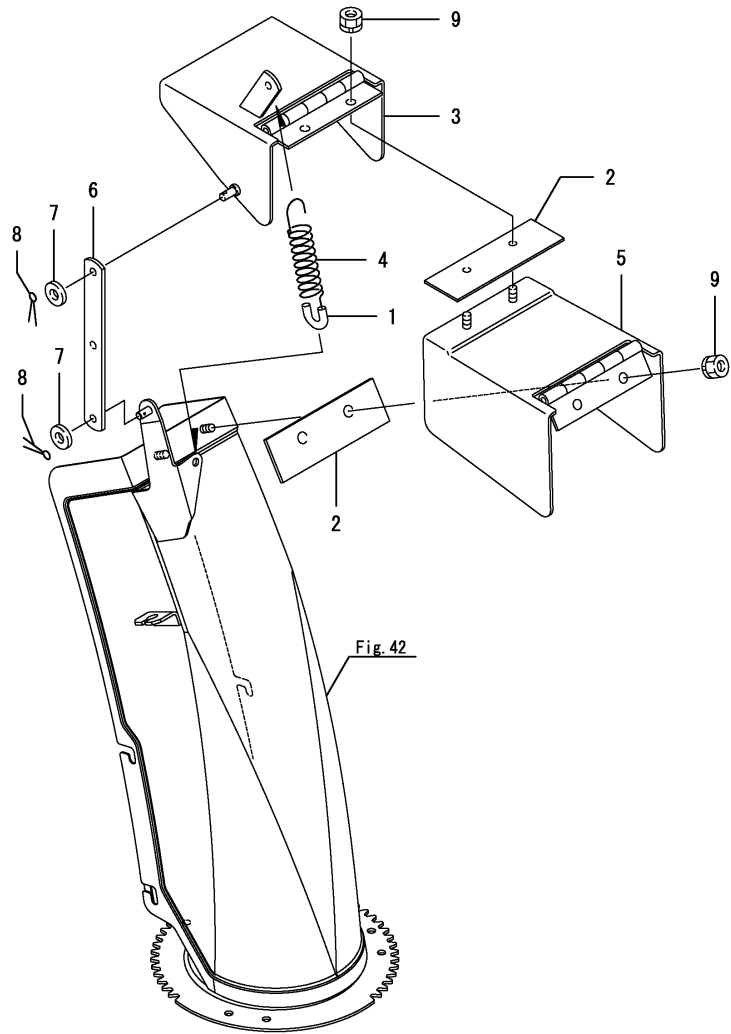
(D)=  
 (E)=  
 (F)=

No.	Lev.	Parts No.	Description	Q'ty						I	R
				(A)	(B)	(C)	(D)	(E)	(F)		
1	1	1J3999-02160	WASHER		6						
2	1	7N3790-73100	CHUTE,		1						
3	1	1N3021-73201	FIXTURE A,SHOOTER		3						
4	1	1N1711-73240	SPACER		3						
5	1	1N1711-73280	PLATE,FLOOR		1						
6	1	1N3260-73400	GEAR, CHUTE E		1						
7	1	1N1960-73502	GUARD		1						
8	1	1N1A50-73950	GUIDE,WIRE		1						
9	1	22137-060000	WASHER, 6		2						
10	1	22157-060000	WASHER, 6		2						
11	1	22417-200120	COTTER PIN 2.0X12		2						
12	1	26014-060162	BOLT, M6X 16		1						
13	1	26051-060002	NUT, M6		2						
14	1	26347-060002	NUT, M6		6						

Fig.44. DEFLECTOR

(A)=JS-865C,PQ  
 (B)=JS-865C,S-PQ  
 (C)=

(D)=  
 (E)=  
 (F)=



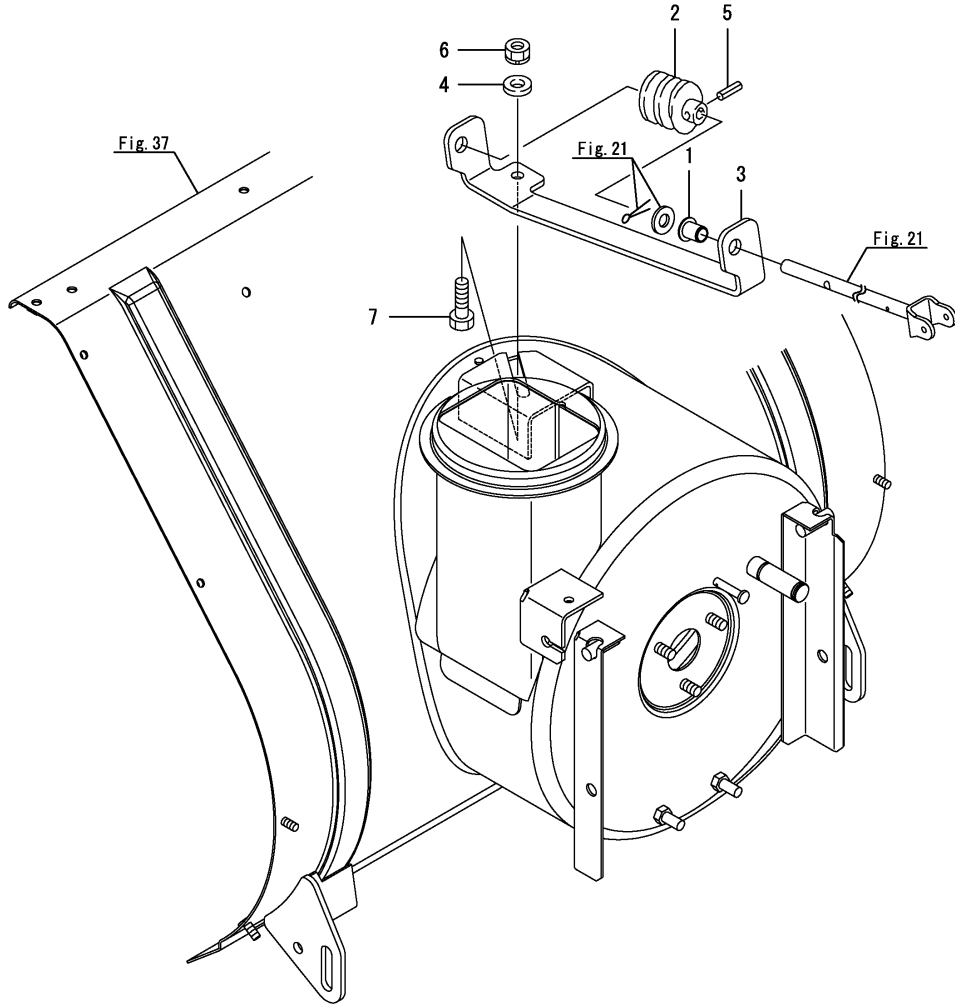
No.	Lev.	Parts No.	Description	Q'ty						I	R
				(A)	(B)	(C)	(D)	(E)	(F)		
1	1	1N1A10-73100	HOSE,VINYL	1	1						
2	1	1N1711-73170	RUBBER,SNOW PROTECT.	2	2						
3	1	1N3850-73201	DEFLECTOR, SUB	1	1						
4	1	1N3850-73250	SPRING, 18X106	1	1						
5	1	1N3850-73301	DEFLECTOR,	1	1						
6	1	1N3850-73400	ARM, DEFLECTOR	1	1						
7	1	22137-060000	WASHER, 6	2	2						
8	1	22417-160100	COTTER PIN	2	2						
9	1	26051-060002	NUT, M6	4	4						



Fig.45. SHOOTER TURNING

(A)=JS-865C,PQ  
 (B)=JS-865C,S-PQ  
 (C)=

(D)=  
 (E)=  
 (F)=



No.	Lev.	Parts No.	Description	Q'ty						I	R
				(A)	(B)	(C)	(D)	(E)	(F)		
1	1	1F5300-43300	BUSH 1015	1							
2	1	1N3390-73300	WORM,3X3L	1							
3	1	1N1A10-73400	REST,ROD	1							
4	1	22137-080000	WASHER, 8	1							
5	1	22351-050020	PIN, SPRING 5.0X20	1							
6	1	26051-080002	NUT, M8	1							
7	1	26116-080162	BOLT, M8X 16 PLATED	1							

Fig.46. SHOOTER TURNING

(A)=JS-865C,PQ  
 (B)=JS-865C,S-PQ  
 (C)=

(D)=  
 (E)=  
 (F)=

No.	Lev.	Parts No.	Description	Q'ty						I	R
				(A)	(B)	(C)	(D)	(E)	(F)		
1	1	1N3790-73351	SEAT, CHUTE MOTOR		1						
2	1	1N1A10-73451	COVER,MOTOR		1						
3	1	26014-060162	BOLT, M6X 16		2						
4	1	26014-060162	BOLT, M6X 16		3						

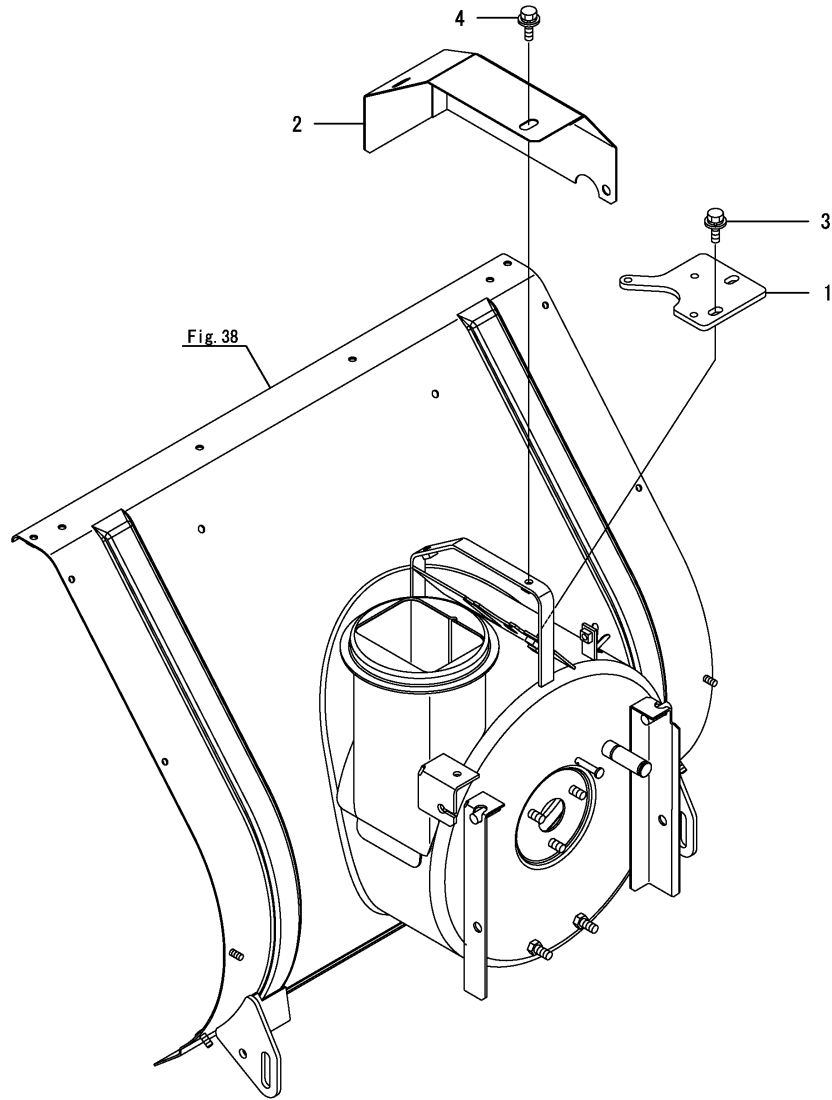
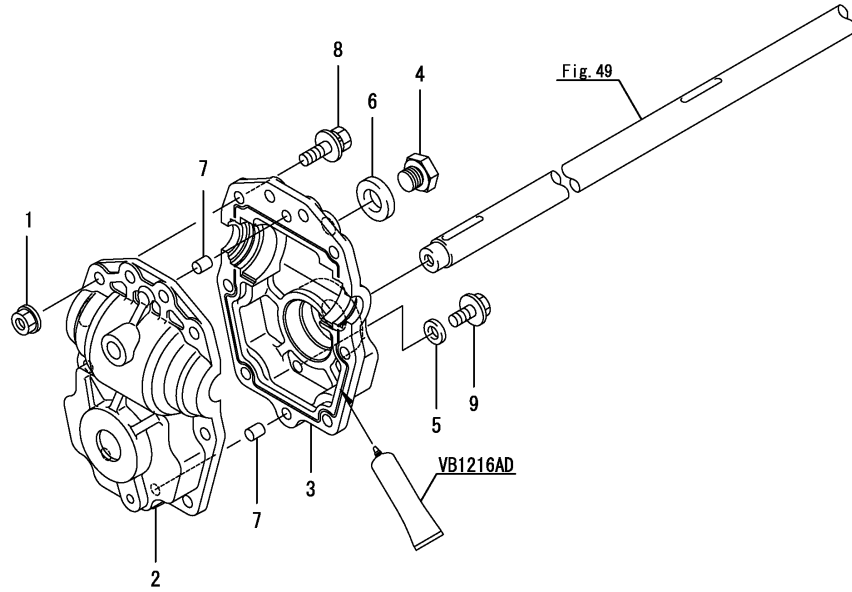


Fig.47. GEAR HOUSING

(A)=JS-865C,PQ  
 (B)=JS-865C,S-PQ  
 (C)=

(D)=  
 (E)=  
 (F)=



No.	Lev.	Parts No.	Description	Q'ty						I	R
				(A)	(B)	(C)	(D)	(E)	(F)		
1	1	194990-22140	NUT, M8	8	8						
2	1	1N3790-74000	CASE L, GEAR	1	1						
3	1	1N3790-74010	CASE R, GEAR	1	1						
4	1	1N3910-74130	BOLT, DRAIN	1	1						
5	1	22190-080000	WASHER, SEAL 8	1	1						
6	1	22190-140000	WASHER, SEAL 14	1	1						
7	1	22312-080100	PIN, PARALLEL M8X10	2	2						
8	1	26014-080302	BOLT, M8X 30	8	8						
9	1	26107-080162	BOLT,8X 16	1	1						

Fig.48. BLOWER SHAFT

(A)=JS-865C,PQ  
 (B)=JS-865C,S-PQ  
 (C)=

(D)=  
 (E)=  
 (F)=

No.	Lev.	Parts No.	Description	Q'ty						I	R
				(A)	(B)	(C)	(D)	(E)	(F)		
1	1	1N3021-74030	WORM 3L2	1	1						
2	1	1N3790-74080	COLLAR, 21X27X5	1	1						
3	1	1N3790-74100	SHAFT, BLOWER	1	1						
4	1	22550-070500	KEY 7X50	1	1						
5	1	24101-060044	BEARING, BALL 6004	2	2						
6	1	24421-203508	SEAL, OIL TC203508	2	2						

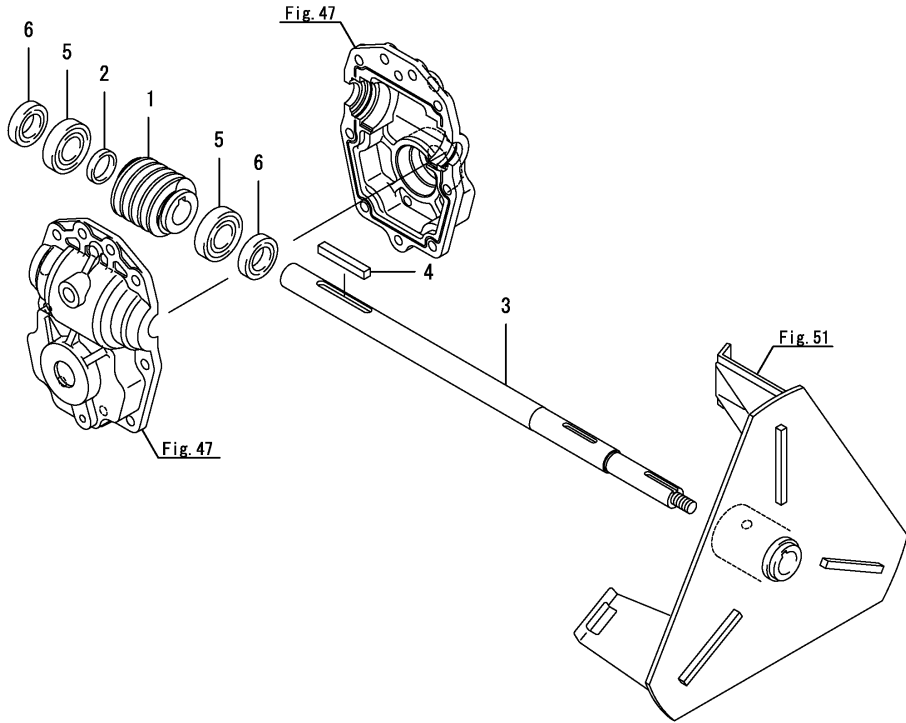


Fig.49. AUGER SHAFT

(A)=JS-865C,PQ  
 (B)=JS-865C,S-PQ  
 (C)=

(D)=  
 (E)=  
 (F)=

No.	Lev.	Parts No.	Description	Q'ty						I	R
				(A)	(B)	(C)	(D)	(E)	(F)		
1	1	1N3370-74040	WHEEL 3X20,WORM	1	1						
2	1	1N3400-74200	SHAFT,AUGER	1	1						
3	1	22550-050300	KEY 5X30	1	1						
4	1	24101-060044	BEARING, BALL 6004	2	2						
5	1	24421-203508	SEAL, OIL TC203508	2	2						

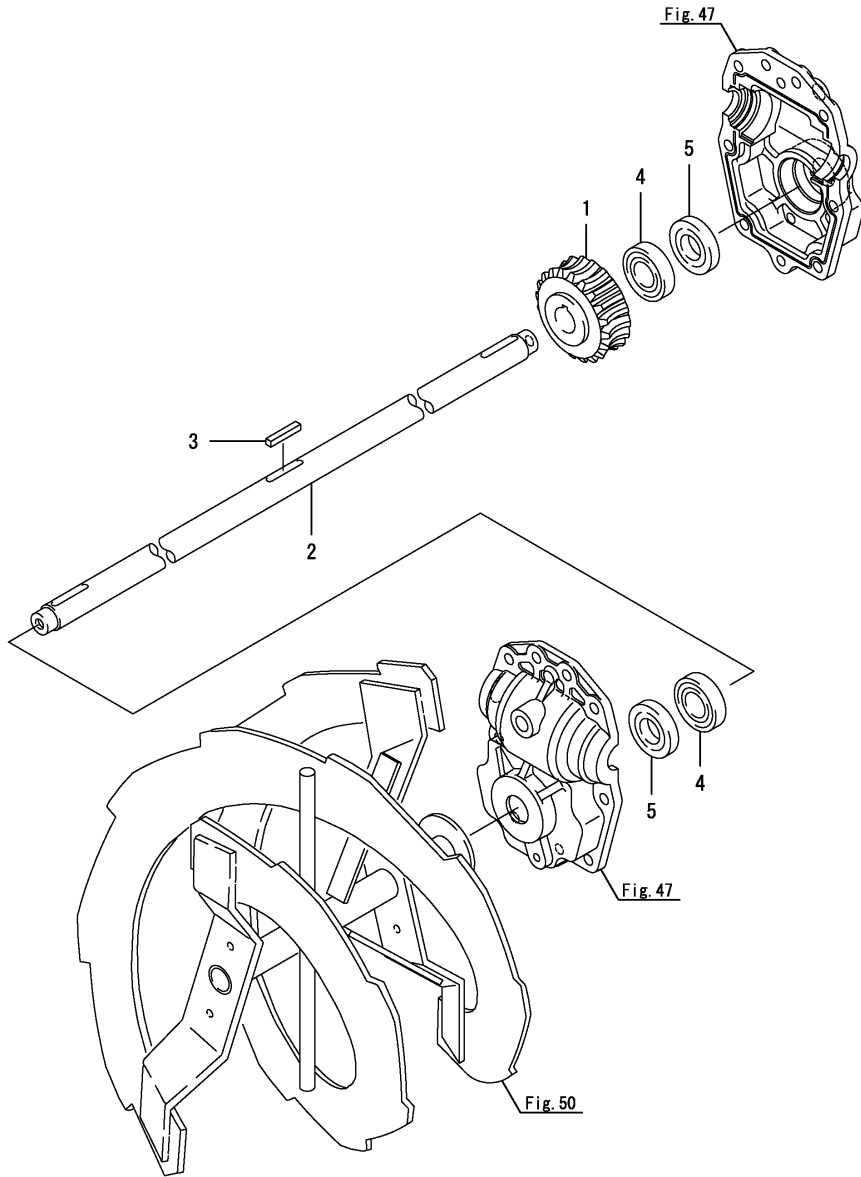
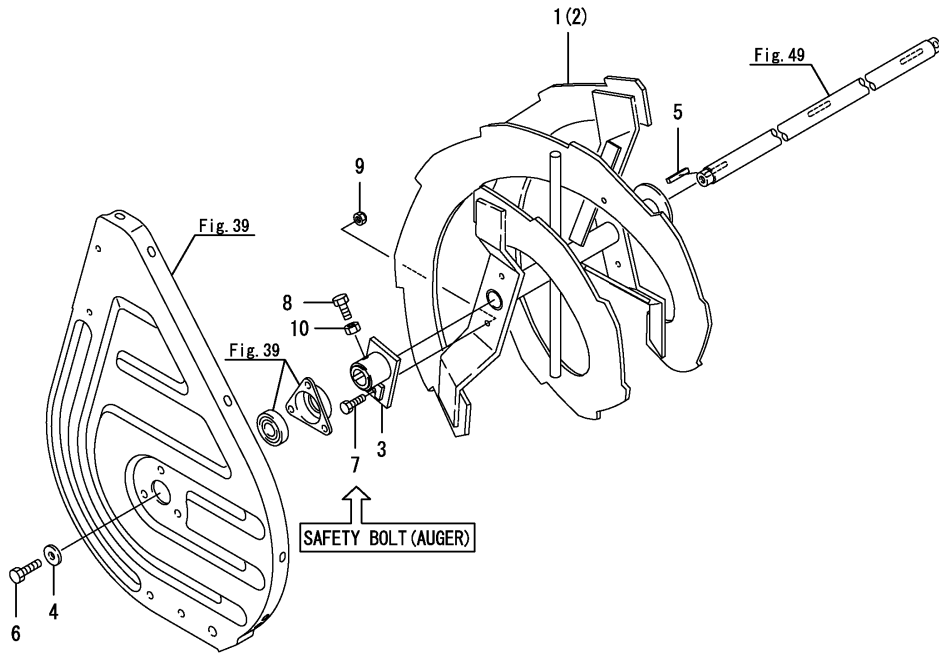


Fig.50. AUGER



(A)=JS-865C,PQ  
(B)=JS-865C,S-PQ  
(C)=

(D)=  
(E)=  
(F)=

No.	Lev.	Parts No.	Description	Q'ty						I	R
				(A)	(B)	(C)	(D)	(E)	(F)		
1	1	1N1A50-75000	AUGER L	1	1						
2	1	1N1A50-75100	AUGER R	1	1						
3	1	1N3330-75200-1	FLANGE,AUGER	2	2						
4	1	22157-080000	WASHER, 8	2	2						
5	1	22550-050300	KEY 5X30	2	2						
6	1	26013-080252	BOLT, M8X 25	2	2						
7	1	26116-060202	BOLT, M6X 20 PLATED	2	2						
8	1	26116-080162	BOLT, M8X 16 PLATED	2	2						
9	1	26347-060002	NUT, M6	2	2						
10	1	26717-080002	NUT, M8	2	2						



Fig.52. LABEL

(A)=JS-865C,PQ  
 (B)=JS-865C,S-PQ  
 (C)=

(D)=  
 (E)=  
 (F)=

No.	Lev.	Parts No.	Description	Q'ty						I	R
				(A)	(B)	(C)	(D)	(E)	(F)		
1	1	1N1711-68190	MARK C YANMAR	2							
2	1	1N1711-68220	MARK,OIL CHECK	1							
3	1	1J3950-91010	MARK,BLINDFOLD	1							
4	1	1N1A50-91050	LABEL, MODEL	1							
5	1	1N3910-91100	LABEL, TRAVEL	1							
6	1	1N3910-91110	LABEL, WORK	1							
7	1	1N3910-91300	LABEL, LIFT	1							
8	1	1N3320-91320	LABEL,SOUND	1							
9	1	1N3790-91600	LABEL, DRAIN	1							

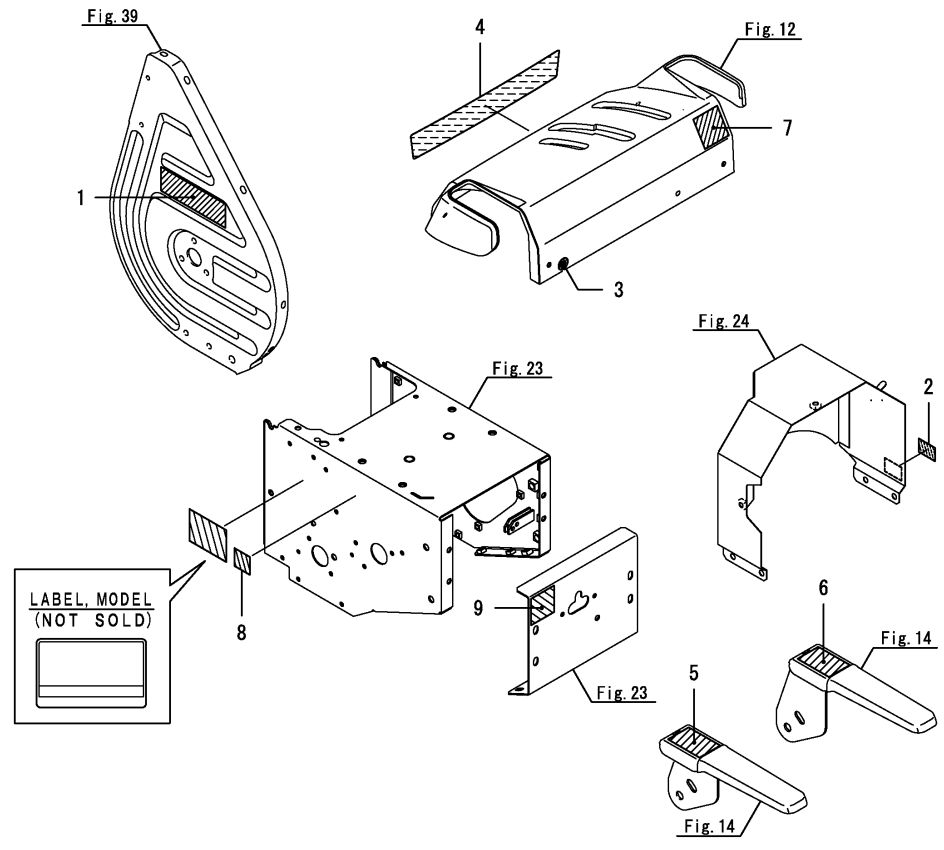
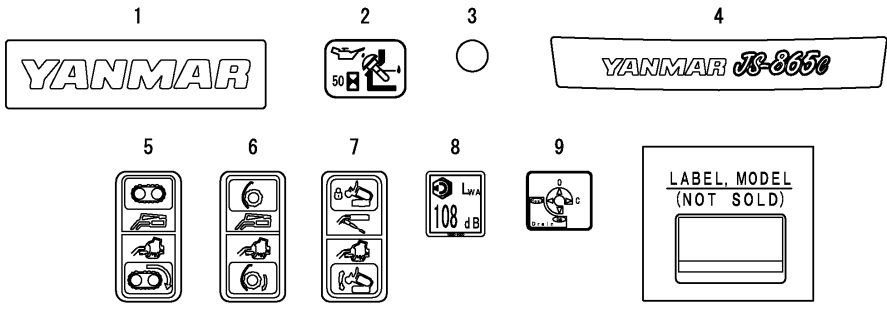




Fig.53. LABEL

(A)=JS-865C,PQ  
 (B)=JS-865C,S-PQ  
 (C)=

(D)=  
 (E)=  
 (F)=

No.	Lev.	Parts No.	Description	Q'ty						I	R
				(A)	(B)	(C)	(D)	(E)	(F)		
1	1	1N1711-68190	MARK C YANMAR		2						
2	1	1N1711-68220	MARK,OIL CHECK		1						
3	1	1J3950-91010	MARK,BLINDFOLD		1						
4	1	1N1A50-91050	LABEL, MODEL		1						
5	1	1N3910-91090	LABEL, SWITCH		1						
6	1	1N3910-91100	LABEL, TRAVEL		1						
7	1	1N3910-91110	LABEL, WORK		1						
8	1	1N3910-91300	LABEL, LIFT		1						
9	1	1N3320-91320	LABEL,SOUND		1						
10	1	1N3790-91600	LABEL, DRAIN		1						

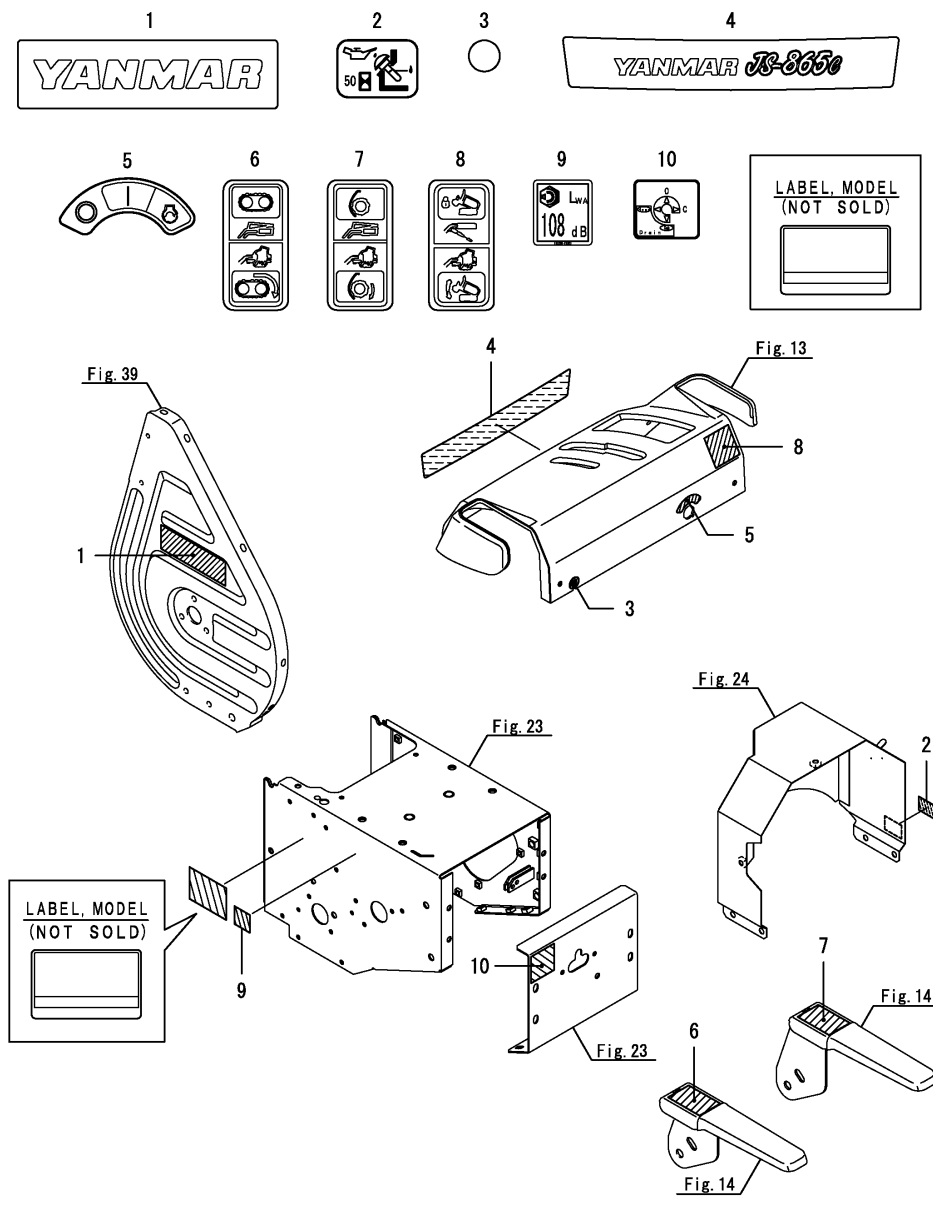
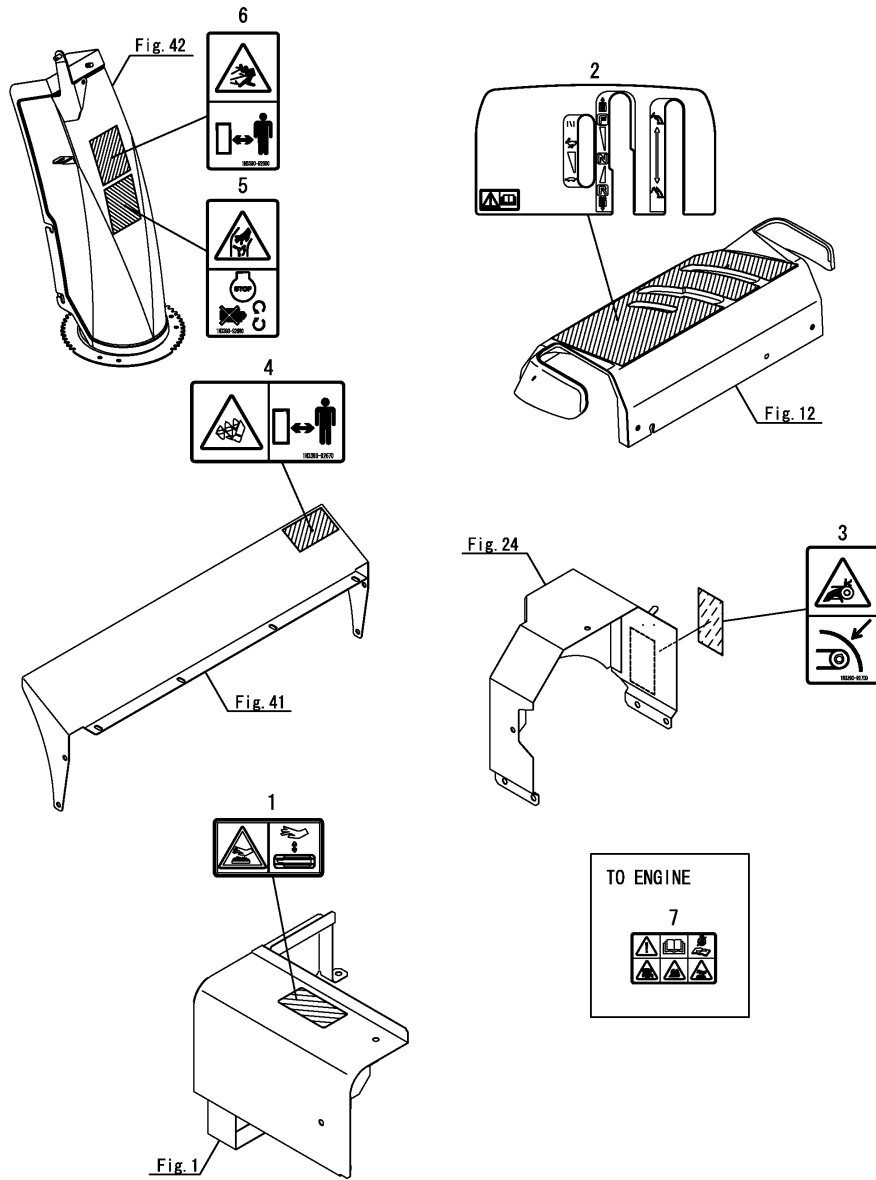


Fig.54. LABEL(SAFETY)

(A)=JS-865C,PQ  
(B)=JS-865C,S-PQ  
(C)=

(D)=  
(E)=  
(F)=



No.	Lev.	Parts No.	Description	Q'ty						I	R
				(A)	(B)	(C)	(D)	(E)	(F)		
1	1	1N1A50-91500	LABEL,CAUTION TEMP	1							
2	1	1N1A10-91250	LABEL, OPERATION	1							
3	1	1N3390-92700	LABEL,CAUTION	1							
4	1	1N3390-92670	LABEL,DANGER	1							
5	1	1N3390-92680	LABEL,WARNING	1							
6	1	1N3390-92690	LABEL,WARNING	1							
7	1	1N3790-91820	CAUTION	1							

Fig.55. LABEL(SAFETY)

(A)=JS-865C,PQ  
 (B)=JS-865C,S-PQ  
 (C)=

(D)=  
 (E)=  
 (F)=

No.	Lev.	Parts No.	Description	Q'ty						I	R
				(A)	(B)	(C)	(D)	(E)	(F)		
1	1	1N1A50-91500	LABEL,CAUTION TEMP		1						
2	1	1N3790-91250	LABEL, OPERATION		1						
3	1	1N3390-92700	LABEL,CAUTION		1						
4	1	1N3390-92670	LABEL,DANGER		1						
5	1	1N3390-92680	LABEL,WARNING		1						
6	1	1N3390-92690	LABEL,WARNING		1						
7	1	1N3790-91820	CAUTION		1						

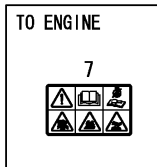
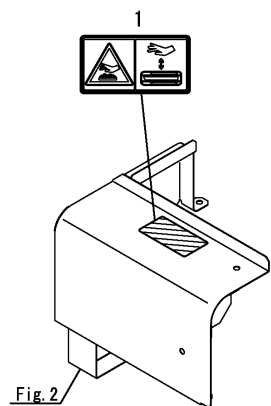
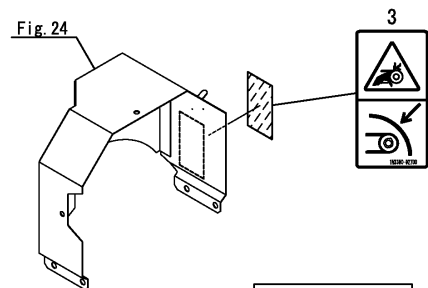
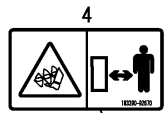
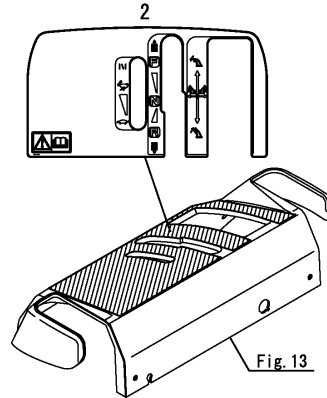
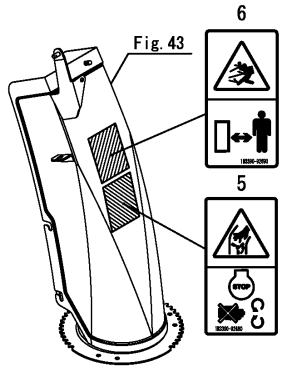


Fig.56. ACCESSORY(TOOL)

(A)=JS-865C,PQ  
 (B)=JS-865C,S-PQ  
 (C)=

(D)=  
 (E)=  
 (F)=

No.	Lev.	Parts No.	Description	Q'ty						I	R
				(A)	(B)	(C)	(D)	(E)	(F)		
1	1	1N3790-95000	SPANNER,	1	1						
2	1	1N3790-95050	SPANNER,	1	1						
3	1	28160-100120	WRENCH, 10X12	1	1						

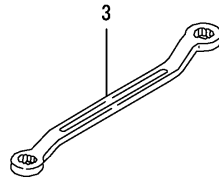
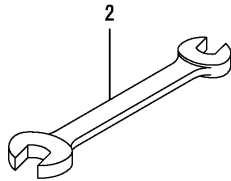
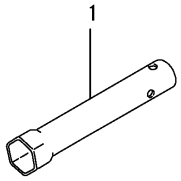
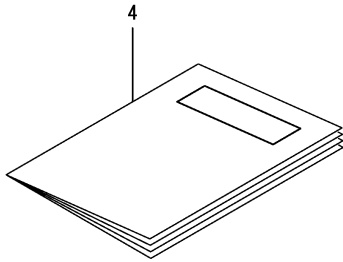
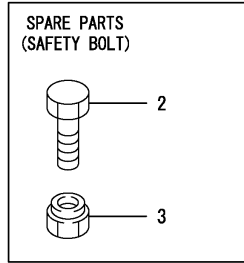
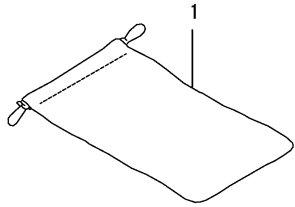


Fig.57. ACCESSORY

(A)=JS-865C,PQ  
(B)=JS-865C,S-PQ  
(C)=

(D)=  
(E)=  
(F)=

No.	Lev.	Parts No.	Description	Q'ty						I	R
				(A)	(B)	(C)	(D)	(E)	(F)		
1	1	1F1150-92000	BAG,TOOL	1							
2	1	26116-060202	BOLT, M6X 20 PLATED	10							1
3	1	26347-060002	NUT, M6	10							1
4	1	0A000-M00030	OPERATION MANUAL	1							



Remarks

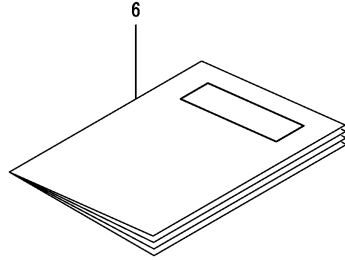
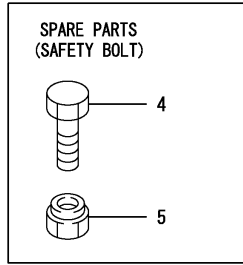
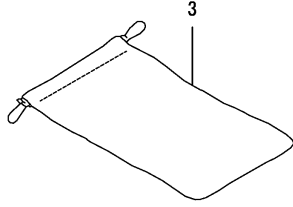
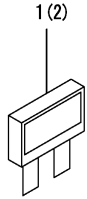
(1)It is a spare part for safety bolt, group No.50ref. No.7.

Fig.58. ACCESSORY

(A)=JS-865C,PQ  
 (B)=JS-865C,S-PQ  
 (C)=

(D)=  
 (E)=  
 (F)=

No.	Lev.	Parts No.	Description	Q'ty						I	R
				(A)	(B)	(C)	(D)	(E)	(F)		
1	1	1E8665-83170	FUSE, 15A		1						
2	1	1E8665-83180	FUSE, 20A		1						
3	1	1F1150-92000	BAG,TOOL		1						
4	1	26116-060202	BOLT, M6X 20 PLATED		10						1
5	1	26347-060002	NUT, M6		10						1
6	1	0A000-M00030	OPERATION MANUAL		1						



Remarks

(1)It is a spare part for safety bolt, group No.50ref. No.7.

## Parts No. Index

Parts No.	Fig. No.	Ref. No.
0A000-M00030	57	4
	58	6
194990-22140	47	1
195385-35870	3	9
	17	8
	19	6
	20	10
198273-01230	3	2
1A1102-57100	19	8
1A1470-40900	32	1
1A1490-40540	15	15
	22	13
	29	1
	30	2
	31	2
1C1011-53430	21	14
1C1300-17300	34	1
1C1300-38250	7	4
1C7100-48250	17	9
	19	7
	20	11
1E4060-26430	20	1
1E4760-43090	18	9
1E6102-84970	22	14
	30	6
	31	5
1E6650-82300	34	7
1E6740-64200	18	10
1E7030-51302-1	4	8
1E8665-83170	58	1
1E8665-83180	58	2
1E8775-84120	30	5
	31	4
	36	6
1E9170-64750	17	10
1F1150-64230	5	3
1F1150-92000	57	1
	58	3
1F5300-43300	21	13
	45	1
1J3670-11390	30	1
	31	1
1J3950-91010	52	3
	53	3
1J3999-00040	12	1
	13	1
1J3999-02160	42	1
	43	1
1J3999-07000	3	7
	15	9

Parts No.	Fig. No.	Ref. No.
1J3999-07000	15	12
	19	4
	20	7
1N1570-21201	8	3
1N1570-21300	8	5
1N1570-21600	9	1
1N1570-32950	18	8
1N1570-38200	39	1
1N1570-38210	37	1
	38	1
1N1710-51350	29	8
1N1710-71062-2	37	3
	38	2
1N1710-71072	37	4
	38	3
1N1710-82140	11	3
1N1711-35520	21	12
1N1711-51380	35	3
	36	4
1N1711-51390	36	2
1N1711-51850	35	2
	36	3
1N1711-51860	35	4
	36	5
1N1711-68190	52	1
	53	1
1N1711-68220	52	2
	53	2
1N1711-73170	44	2
1N1711-73240	42	4
	43	4
1N1711-73280	42	5
	43	5
1N1723-00450	29	5
1N1723-38500-1	27	5
1N1723-51280	30	3
	34	3
1N1723-52101	34	5
1N1730-12820	7	3
1N1960-73502	42	6
	43	7
1N1A10-11270	4	6
1N1A10-11280	4	7
1N1A10-12150	5	2
1N1A10-21331	8	8
1N1A10-30000	11	1
1N1A10-30201	11	2
1N1A10-32160	18	1
1N1A10-32190	18	2
1N1A10-34350	21	1

Parts No.	Fig. No.	Ref. No.
1N1A10-34370	21	2
1N1A10-34382	21	3
1N1A10-34500	21	5
1N1A10-34601	21	7
1N1A10-35301	22	6
1N1A10-35450	22	8
1N1A10-37100	24	2
1N1A10-51221	29	3
1N1A10-51300	29	6
1N1A10-51450	30	4
1N1A10-51500	34	4
1N1A10-73100	44	1
1N1A10-73400	45	3
1N1A10-73451	46	2
1N1A10-91250	54	2
1N1A50-00050	1	1
	2	1
1N1A50-00101	1	2
	2	2
1N1A50-00161	1	3
	2	3
1N1A50-00500	1	5
	2	5
1N1A50-00650	3	1
1N1A50-00950	1	7
	2	7
1N1A50-02200	3	5
1N1A50-11000	4	1
1N1A50-11100	4	3
1N1A50-12000	5	1
1N1A50-12010	7	1
1N1A50-12050	6	1
1N1A50-12200	7	2
1N1A50-21100	8	2
1N1A50-21300	8	6
1N1A50-23300	9	10
1N1A50-23500	9	3 -1
1N1A50-32350	18	4
1N1A50-36001	23	1
1N1A50-36002	23	1 -1
1N1A50-36100	23	2
1N1A50-36190	23	3
1N1A50-37060	24	1
1N1A50-37351	24	4
1N1A50-51300	29	7
1N1A50-51400	31	3
1N1A50-71000	37	2
1N1A50-71300	40	1
1N1A50-71500	38	5
1N1A50-73950	42	7

Parts No.	Fig. No.	Ref. No.
1N1A50-73950	43	8
1N1A50-75000	50	1
1N1A50-75100	50	2
1N1A50-91050	52	4
	53	4
1N1A50-91500	54	1
	55	1
1N3021-11240-1	4	4
1N3021-31580	15	7
	17	1
1N3021-34390	21	4
1N3021-34710	21	10
1N3021-34720	21	11
1N3021-38600-1	27	6
1N3021-52300	33	1
1N3021-73201	42	3
	43	3
1N3021-74030	48	1
1N3260-73250	21	15
1N3260-73400	43	6
1N3280-73740	34	6
1N3300-23050	9	3
1N3300-23120	9	6
1N3300-25100	10	2
	27	1
1N3300-32500-1	18	5
1N3300-51010	29	2
1N3300-71320	40	2
1N3300-71330	40	3
1N3300-71401-1	37	5
	38	4
1N3310-23200	9	9
1N3320-91320	52	8
	53	9
1N3330-21400	8	9
1N3330-34651	21	8
1N3330-34700	21	9
1N3330-75200-1	50	3
1N3335-34100	20	3
1N3360-38000	26	1
1N3370-71300	39	2
1N3370-71350	39	3
1N3370-74040	49	1
1N3370-76000-1	51	1
1N3390-23000	9	2
1N3390-23400	9	11
1N3390-34500	21	6
1N3390-35000	22	1
1N3390-35060	22	2
1N3390-35100-1	22	3

## Parts No. Index

Parts No.	Fig. No.	Ref. No.
1N3390-35150	22	4
1N3390-35250	22	5
1N3390-35400	22	7
1N3390-35600	22	10
1N3390-35650-1	22	11
1N3390-35700-1	22	12
1N3390-37100-1	25	1
1N3390-38200-1	27	2
1N3390-73300	45	2
1N3390-92670	54	4
	55	4
1N3390-92680	54	5
	55	5
1N3390-92690	54	6
	55	6
1N3390-92700	54	3
	55	3
1N3400-21300	8	7
1N3400-23180	9	8
1N3400-25000	10	1
1N3400-35501	22	9
1N3400-38400	27	3
1N3400-38450	27	4
1N3400-51450	35	1
1N3400-74200	49	2
1N3440-21300	15	1
1N3790-00250	1	4
	2	4
1N3790-02100	3	3
1N3790-02150	3	4
1N3790-11051	4	2
1N3790-31300	15	3
1N3790-32400	17	6
1N3790-32451	17	7
1N3790-35850	34	2
1N3790-38501	28	1
1N3790-51350	29	9
1N3790-73351	46	1
1N3790-74000	47	2
1N3790-74010	47	3
1N3790-74080	48	2
1N3790-74100	48	3
1N3790-91250	55	2
1N3790-91600	52	9
	53	10
1N3790-91820	54	7
	55	7
1N3790-95000	56	1
1N3790-95050	56	2
1N3790-96870	3	8

Parts No.	Fig. No.	Ref. No.
1N3790-96870	15	10
		13
	19	5
	20	8
1N3840-21001	8	1
1N3840-21200	8	4
1N3840-21410	8	10
1N3840-21450	8	11
1N3840-23100	9	4
1N3840-23400	9	12
1N3840-32000	17	2
1N3840-32301	18	3
1N3840-32600	18	6
1N3840-32650	18	7
1N3850-11250	4	5
1N3850-23110	9	5
1N3850-23140	9	7
1N3850-30350	12	3
	13	2
1N3850-30400	12	4
	13	4
1N3850-31000	14	1
1N3850-31100	14	2
1N3850-31200	15	2
1N3850-31300	15	4
1N3850-31451	15	5
1N3850-31460	15	6
1N3850-31751	16	1
1N3850-32050-1	17	3
1N3850-32100	17	4
1N3850-32150	17	5
	19	1
	20	2
1N3850-34000	19	2
1N3850-73201	44	3
1N3850-73250	44	4
1N3850-73301	44	5
1N3850-73400	44	6
1N3860-34151	20	4
1N3860-34160	20	5
1N3860-34202	20	9
1N3860-34250	36	1
1N3910-31701	15	14
1N3910-74130	47	4
1N3910-91090	53	5
1N3910-91100	52	5
	53	6
1N3910-91110	52	6
	53	7
1N3910-91300	52	7

Parts No.	Fig. No.	Ref. No.
1N3910-91300	53	8
1S6000-61220	8	12
22117-080000	8	13
22117-120000	8	14
	9	13
	18	11
22137-060000	1	8
	2	8
	3	10
	8	15
	15	16
	19	9
	20	12
	21	16
	39	4
	40	4
	42	8
	43	9
	44	7
22137-080000	7	5
	11	4
	22	15
		16
	45	4
22137-100000	3	11
	15	17
	21	17
22137-120000	4	10
22137-140000	4	11
22137-200000	27	7
22157-060000	4	12
		13
	8	16
	9	14
		14 -1
	16	2
	22	17
	42	9
	43	10
22157-080000	22	18
		19
	27	8
	37	6
	38	6
	40	5
	50	4
22190-080000	47	5
22190-120002	1	9
	2	9
22190-140000	47	6

Parts No.	Fig. No.	Ref. No.
22217-060000	1	10
	2	10
22242-000100	15	18
22242-000120	4	14
	8	17
	9	15
22242-000150	4	15
		16
22242-000200	9	16
	10	3
22242-000250	6	2
	8	18
		19
22252-000350	4	17
22252-000420	8	20
22272-000060	22	20
22312-080100	47	7
22351-030012	20	13
22351-040020	15	19
22351-050020	45	5
22372-040000	21	18
22417-160100	4	18
		19
	18	12
	22	21
	44	8
22417-200100	15	20
	19	10
	20	14
	21	19
22417-200120	42	10
	43	11
22417-200160	21	20
		21
	22	22
22451-160000	9	17
22487-060120	18	13
22487-060160	22	23
22487-080120	22	24
22487-080160	22	25
22512-050260	9	18
22550-050300	7	6
	27	9
	49	3
	50	5
	51	2
22550-070400	5	4
22550-070500	48	4
22857-300080	20	15
24101-060044	48	5



## Parts No. Index

Parts No.	Fig. No.	Ref. No.
24101-060044	49	4
24104-060044	9	19
	10	4
	27	10
24104-062024	9	20
24104-062034	37	7
	38	7
	39	5
24104-063020	4	9
24107-062024	4	20
24421-203508	48	6
	49	5
24550-012100	4	21
24550-015100	4	22
24550-020100	27	11
25122-003301	6	3
26013-060122	8	21
	9	21
	10	5
26013-060162	8	22
	9	21 -1
		22
		22 -1
	16	3
26013-080162	8	23
26013-080252	22	26
	27	12
	50	6
26013-080302	5	5
26013-100252	11	5
26014-060122	9	23
	22	27
	39	6
	41	2
26014-060162	1	11
		12
		13
		14
	2	11
		12
		13
		14
	17	11
	18	14
		15
		16
	23	4
	24	5
		6
		7

Parts No.	Fig. No.	Ref. No.
26014-060162	25	2
	27	13
	29	10
		11
	30	7
		8
	31	6
	34	8
	42	11
	43	12
	46	3
		4
26014-060252	31	7
26014-080162	21	22
		23
	39	7
26014-080202	1	15
	2	15
	5	6
	12	5
	13	5
	14	3
	15	21
	17	12
		13
	22	28
		29
	23	5
	24	8
	28	2
	29	12
	31	8
	34	9
	36	7
	37	8
	38	8
26014-080302	47	8
26014-100402	1	16
	2	16
26051-060002	3	12
		13
	8	24
		25
	9	24
	18	17
	37	9
	38	9
	39	8
	40	6
	42	12

Parts No.	Fig. No.	Ref. No.
26051-060002	43	13
	44	9
26051-080002	4	23
	7	7
	11	6
	17	14
	18	18
	22	30
	29	13
	32	2
	35	5
	36	8
	37	10
		11
	38	10
		11
	40	7
	45	6
26051-100002	7	8
26107-080162	47	9
26116-060122	37	12
	38	12
26116-060202	50	7
	57	2
	58	4
26116-060254	8	26
26116-060304	8	27
26116-060552	1	17
	2	17
26116-080162	17	15
	45	7
	50	8
26116-080202	22	31
	37	13
	38	13
	51	3
26116-080452	11	7
26117-080162	36	9
26347-060002	42	13
	43	14
	50	9
	57	3
	58	5
26347-080002	22	32
26487-080402	4	24
26557-060252	22	33
26717-060002	8	28
	21	24
	41	3
26717-080002	18	19

Parts No.	Fig. No.	Ref. No.
26717-080002	21	25
	50	10
	51	4
26717-100002	3	14
	17	16
	19	11
	20	16
26979-060102	21	26
28160-100120	56	3
7N1A10-30300	12	2
7N1A10-31600	15	8
7N1A10-51220	29	4
7N1A10-73000	42	2
7N1A50-00810	1	6
	2	6
7N1A50-02200	3	6
7N1A50-34200	19	3
	20	6
7N1A50-37100	24	3
7N1A50-71700	41	1
7N3790-30400	13	3
7N3790-31650	15	11
7N3790-73100	43	2